

# FASTTRAK

## Simple, Strong, Quick & Easy.

### ASSEMBLY INSTRUCTIONS

### UTILITY STORAGE UNIT-S53

REVISION 02/19



W 1760mm x D 1070 mm x H 1480mm(Rear) x H 1265mm(Front)

#### NOTES

BEFORE COMMENCING SHED ASSEMBLY, CHECK ALL PARTS.

DO NOT ASSEMBLE IN WINDY CONDITIONS



READ INSTRUCTIONS FIRST



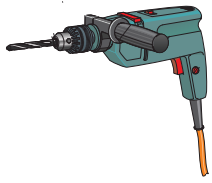
2 PERSON ASSEMBLY



THE MANUFACTURERS CANNOT BE HELD RESPONSIBLE FOR ANY CONSEQUENCES DUE TO SHEDS THAT ARE NOT INSTALLED PER INSTRUCTIONS OR FOR DAMAGE DUE TO WEATHER CONDITIONS, ACTS OF GOD OR FOR SHEDS THAT ARE LEFT PARTIALLY ASSEMBLED OVERNIGHT. PARTS MAY CONTAIN SHARP EDGES & CORNERS. CARE MUST BE TAKEN WHEN HANDLING VARIOUS PIECES TO AVOID A MISHAP, FOR SAFETY SAKE, PLEASE USE A PAIR OF WORK GLOVES, EYE PROTECTION & PROTECTIVE CLOTHING WHEN ASSEMBLING OR PERFORMING ANY MAINTENANCE ON THE BUILDING.

Subject to changes © STEEL SHEDS AUSTRALIA PTY LIMITED

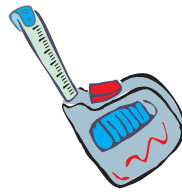
## TOOLS REQUIRED



Electric Drill



Cordless Drill



Measuring Tape



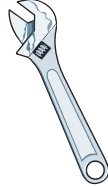
Screwdrivers



8mm Masonry Drill Bit



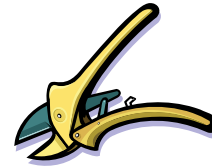
4mm & 5mm Drill Bit



Shifting Spanner



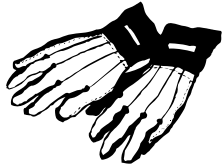
Builders Pencil



Tin Snips  
(some models only)



Sturdy Ladder  
(two if possible)



Gloves



Protective Eyewear

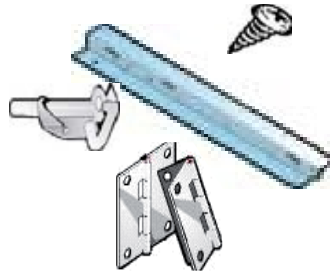


Rubber Mallet

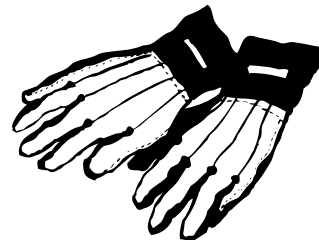


Rivet Gun

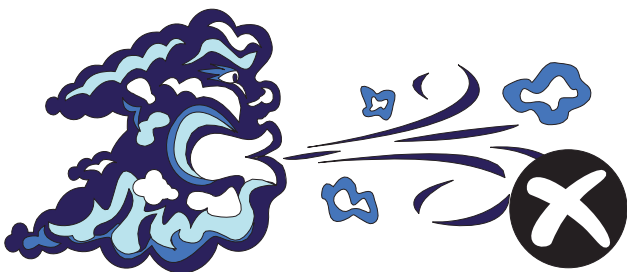
## HANDY HINTS FOR CONSTRUCTION



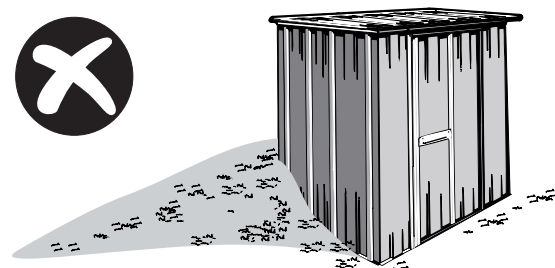
Read instructions and check parts carefully before assembling the shed.



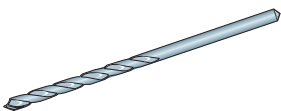
Please wear safety gloves and glasses at all times to protect against sharp metal edges.



Do not assemble in windy conditions as panels may be difficult to handle and damage may result.



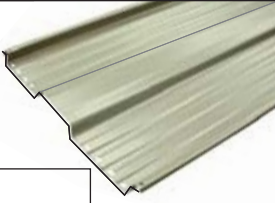
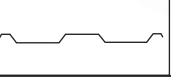
Do not back fill against the shed as this will result in corrosion. Allow drainage from the site.




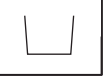
**MOST PILOT HOLES ARE PRE-PUNCHED AND IN THIS CASE DRILLING HOLES IS NOT NECESSARY, HOWEVER SOME PILOT HOLES NEED TO BE DRILLED WITH THE INCLUDED 2.5MM DRILL BIT WHERE INDICATED**

# PARTS LIST

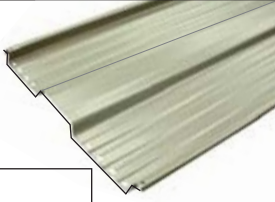
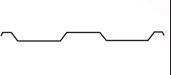
PRODUCT NUMBERS		
<b>A1</b> 1283mm	<b>A2</b> 1346mm	<b>A3</b> 1410mm
<b>B1</b>	<b>B2</b>	<b>B3</b>
<b>Quantity (total)</b>	<b>2 + 2 + 2</b>	
<b>Description:</b> Right & Left Skillion Wall Panel		


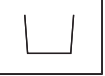
PRODUCT ID	H
<b>Length</b>	1008mm
<b>Quantity</b>	2
<b>Description:</b> Door Frame Bottom	

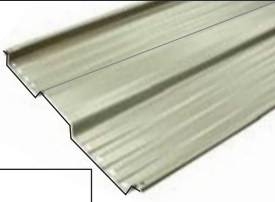
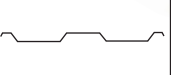
PRODUCT ID	C
<b>Length</b>	1438mm
<b>Quantity</b>	4
<b>Description:</b> Rear Wall Panel	



PRODUCT ID	X
<b>Length</b>	363mm
<b>Quantity</b>	2
<b>Description:</b> Front Wall Top Channel	

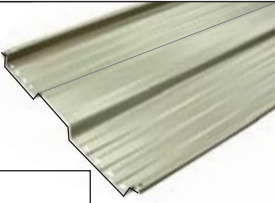
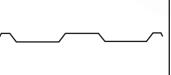
PRODUCT ID	D
<b>Length</b>	1250mm
<b>Quantity</b>	2
<b>Description:</b> Front Wall Corner Panel	



PRODUCT ID	I
<b>Length</b>	1192mm
<b>Quantity</b>	2
<b>Description:</b> Door Frame Side	

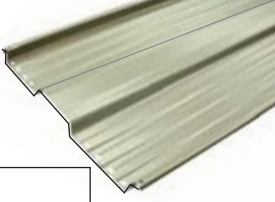
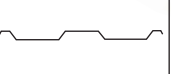
PRODUCT ID	D
<b>Length</b>	1438mm
<b>Quantity</b>	1
<b>Description:</b> Rear Wall Corner Panel	



PRODUCT ID	J
<b>Length</b>	1156mm
<b>Quantity</b>	2
<b>Description:</b> Door Boxing	

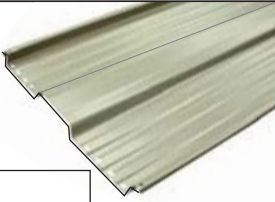
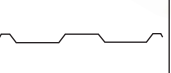
PRODUCT ID	E
<b>Length</b>	1169mm
<b>Quantity</b>	5
<b>Description:</b> Roof Panel	



PRODUCT ID	K
<b>Length</b>	802mm
<b>Quantity</b>	2
<b>Description:</b> Door Bracing	

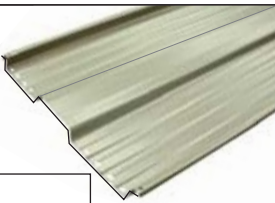
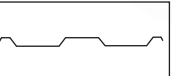
PRODUCT ID	F
<b>Length</b>	1188mm
<b>Quantity</b>	2
<b>Description:</b> Door Panel Side (partially slit)	


PRODUCT ID	M
<b>Length</b>	1753mm
<b>Quantity</b>	3
<b>Description:</b> Top/Bottom Front/Rear Wall Channel	

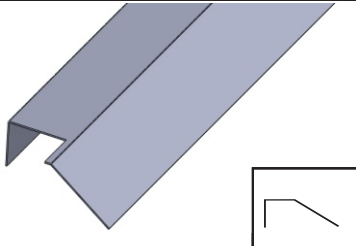




PRODUCT ID	G
<b>Length</b>	1188mm
<b>Quantity</b>	1
<b>Description:</b> Door Panel Center	

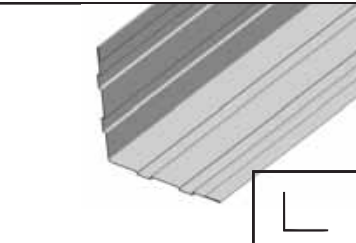




# PARTS LIST

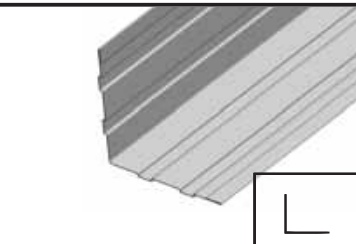
<b>PRODUCT ID</b>	<b>N</b>	
<b>Length</b>	1061mm	
<b>Quantity</b>	2	
<b>Description:</b> Side Wall Bottom		

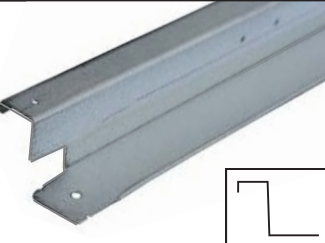
<b>PRODUCT ID</b>	<b>U</b>	
<b>Length</b>	1020mm	
<b>Quantity</b>	1	
<b>Description:</b> Door Ramp		


<b>PRODUCT ID</b>	<b>O</b>	
<b>Length</b>	1077mm	
<b>Quantity</b>	2	
<b>Description:</b> Side Wall Panel Top Channel		


<b>PRODUCT ID</b>	<b>V</b>	
<b>Length</b>	1776mm	
<b>Quantity</b>	2	
<b>Description:</b> Gutter Trim		


<b>PRODUCT ID</b>	<b>P</b>	
<b>Length</b>	1150mm	
<b>Quantity</b>	2	
<b>Description:</b> Roof Bracing Channel		

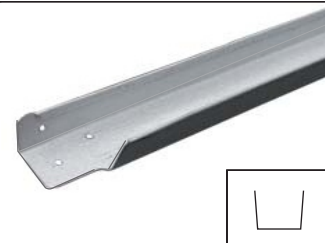
<b>PRODUCT ID</b>	<b>V</b>	
<b>Length</b>	1175mm	
<b>Quantity</b>	2	
<b>Description:</b> Roof Angle Trim		

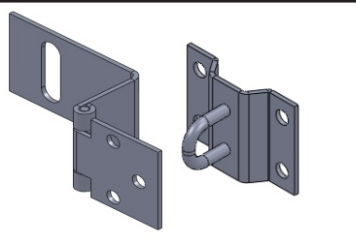
<b>PRODUCT ID</b>	<b>Q</b>	
<b>Length</b>	1250mm	
<b>Quantity</b>	2	
<b>Description:</b> Door Jamb		

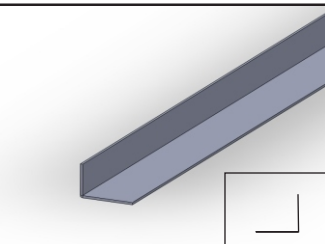
<b>Quantity</b>	3	
<b>Description:</b> Door Plate		

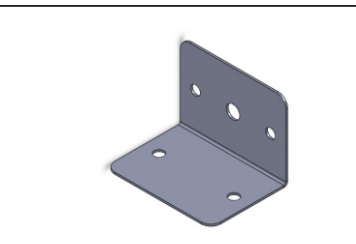
<b>PRODUCT ID</b>	<b>R</b>	
<b>Length</b>	1021mm	
<b>Quantity</b>	1	
<b>Description:</b> Bottom Door Spacer		

<b>Quantity</b>	1 set	
<b>Description:</b> Padbolt & Keeper		



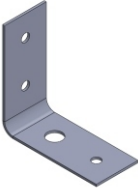

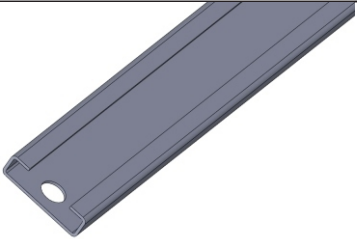

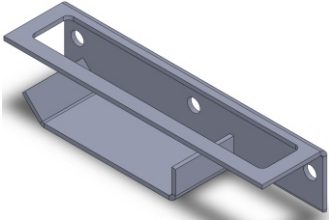



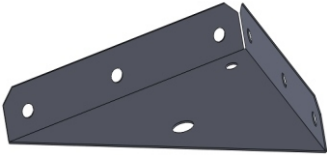


<b>PRODUCT ID</b>	<b>S</b>	
<b>Length</b>	1753mm	
<b>Quantity</b>	2	
<b>Description:</b> Roof Front/Rear Channel		

<b>Quantity</b>	1 set	
<b>Description:</b> Hasp & Staple		

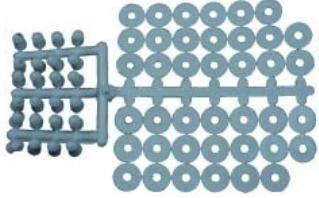

<b>PRODUCT ID</b>	<b>T</b>	
<b>Length</b>	1520mm	
<b>Quantity</b>	1	
<b>Description:</b> Roof Holder (30x30 or 20x30 Angle)		

<b>Quantity</b>	3	
<b>Description:</b> Angle Bracket		

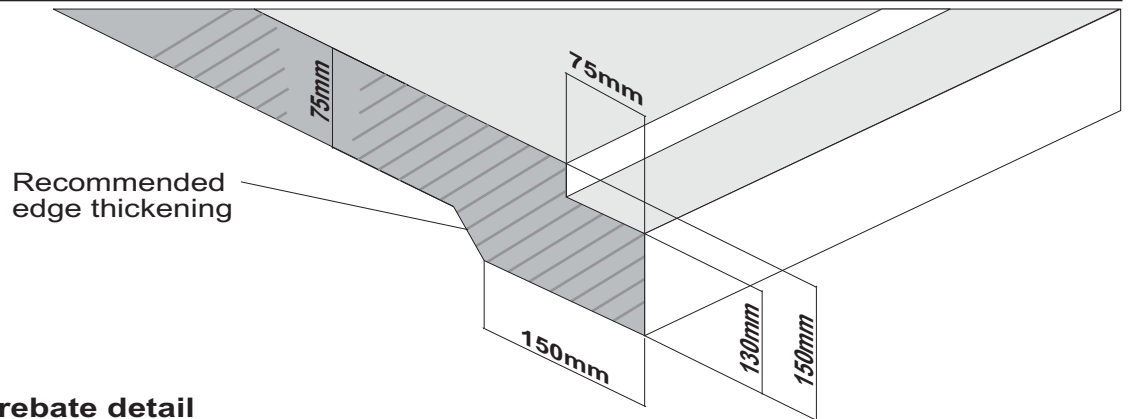
# PARTS LIST

<table border="1"> <tr> <td><b>Quantity</b></td> <td>6</td> </tr> <tr> <td><b>Description:</b></td> <td>Plastic corner cap Size 40</td> </tr> </table>	<b>Quantity</b>	6	<b>Description:</b>	Plastic corner cap Size 40		<table border="1"> <tr> <td><b>Quantity</b></td> <td>6</td> </tr> <tr> <td><b>Description:</b></td> <td>3/16" Bolt &amp; Nut</td> </tr> </table>	<b>Quantity</b>	6	<b>Description:</b>	3/16" Bolt & Nut			
<b>Quantity</b>	6												
<b>Description:</b>	Plastic corner cap Size 40												
<b>Quantity</b>	6												
<b>Description:</b>	3/16" Bolt & Nut												
<table border="1"> <tr> <td><b>Quantity</b></td> <td>2</td> </tr> <tr> <td><b>Description:</b></td> <td>45x45mm Bracket</td> </tr> </table>	<b>Quantity</b>	2	<b>Description:</b>	45x45mm Bracket		<table border="1"> <tr> <td><b>Quantity</b></td> <td>2</td> </tr> <tr> <td><b>Description:</b></td> <td>M5 Nylock Nut &amp; Bolt</td> </tr> </table>	<b>Quantity</b>	2	<b>Description:</b>	M5 Nylock Nut & Bolt			
<b>Quantity</b>	2												
<b>Description:</b>	45x45mm Bracket												
<b>Quantity</b>	2												
<b>Description:</b>	M5 Nylock Nut & Bolt												
<table border="1"> <tr> <td><b>Quantity</b></td> <td>Z</td> </tr> <tr> <td><b>Quantity</b></td> <td>2</td> </tr> <tr> <td><b>Description:</b></td> <td>Pool Pump Prop</td> </tr> </table>	<b>Quantity</b>	Z	<b>Quantity</b>	2	<b>Description:</b>	Pool Pump Prop		<table border="1"> <tr> <td><b>Quantity</b></td> <td>7</td> </tr> <tr> <td><b>Description:</b></td> <td>Masonry Anchor</td> </tr> </table>	<b>Quantity</b>	7	<b>Description:</b>	Masonry Anchor	
<b>Quantity</b>	Z												
<b>Quantity</b>	2												
<b>Description:</b>	Pool Pump Prop												
<b>Quantity</b>	7												
<b>Description:</b>	Masonry Anchor												
<table border="1"> <tr> <td><b>Quantity</b></td> <td>1 + 1</td> </tr> <tr> <td><b>Description:</b></td> <td>Lid Stay Bracket 1 LH + 1 RH</td> </tr> </table>	<b>Quantity</b>	1 + 1	<b>Description:</b>	Lid Stay Bracket 1 LH + 1 RH		<table border="1"> <tr> <td><b>Quantity</b></td> <td>1</td> </tr> <tr> <td><b>Description:</b></td> <td>2.5mm Drill Bit</td> </tr> </table>	<b>Quantity</b>	1	<b>Description:</b>	2.5mm Drill Bit			
<b>Quantity</b>	1 + 1												
<b>Description:</b>	Lid Stay Bracket 1 LH + 1 RH												
<b>Quantity</b>	1												
<b>Description:</b>	2.5mm Drill Bit												
<table border="1"> <tr> <td><b>Quantity</b></td> <td>1</td> </tr> <tr> <td><b>Description:</b></td> <td>Phillips Head Bit</td> </tr> </table>	<b>Quantity</b>	1	<b>Description:</b>	Phillips Head Bit		<table border="1"> <tr> <td><b>Quantity</b></td> <td>2</td> </tr> <tr> <td><b>Description:</b></td> <td>Clip Nut</td> </tr> </table>	<b>Quantity</b>	2	<b>Description:</b>	Clip Nut			
<b>Quantity</b>	1												
<b>Description:</b>	Phillips Head Bit												
<b>Quantity</b>	2												
<b>Description:</b>	Clip Nut												
<table border="1"> <tr> <td><b>Quantity</b></td> <td>8</td> </tr> <tr> <td><b>Description:</b></td> <td>Corner Bracket</td> </tr> </table>	<b>Quantity</b>	8	<b>Description:</b>	Corner Bracket		<table border="1"> <tr> <td><b>Quantity</b></td> <td>300</td> </tr> <tr> <td><b>Description:</b></td> <td>Self Tapping Screws-Silver</td> </tr> </table>	<b>Quantity</b>	300	<b>Description:</b>	Self Tapping Screws-Silver			
<b>Quantity</b>	8												
<b>Description:</b>	Corner Bracket												
<b>Quantity</b>	300												
<b>Description:</b>	Self Tapping Screws-Silver												
		<table border="1"> <tr> <td><b>Quantity</b></td> <td>25</td> </tr> <tr> <td><b>Description:</b></td> <td>Rivet</td> </tr> </table>	<b>Quantity</b>	25	<b>Description:</b>	Rivet							
<b>Quantity</b>	25												
<b>Description:</b>	Rivet												

## PARTS LIST

<b>Quantity</b>	1		<b>Quantity</b>	6	
<b>Description:</b> Plastic Washer and Screw Cap Sheet			<b>Description:</b> Hinges		

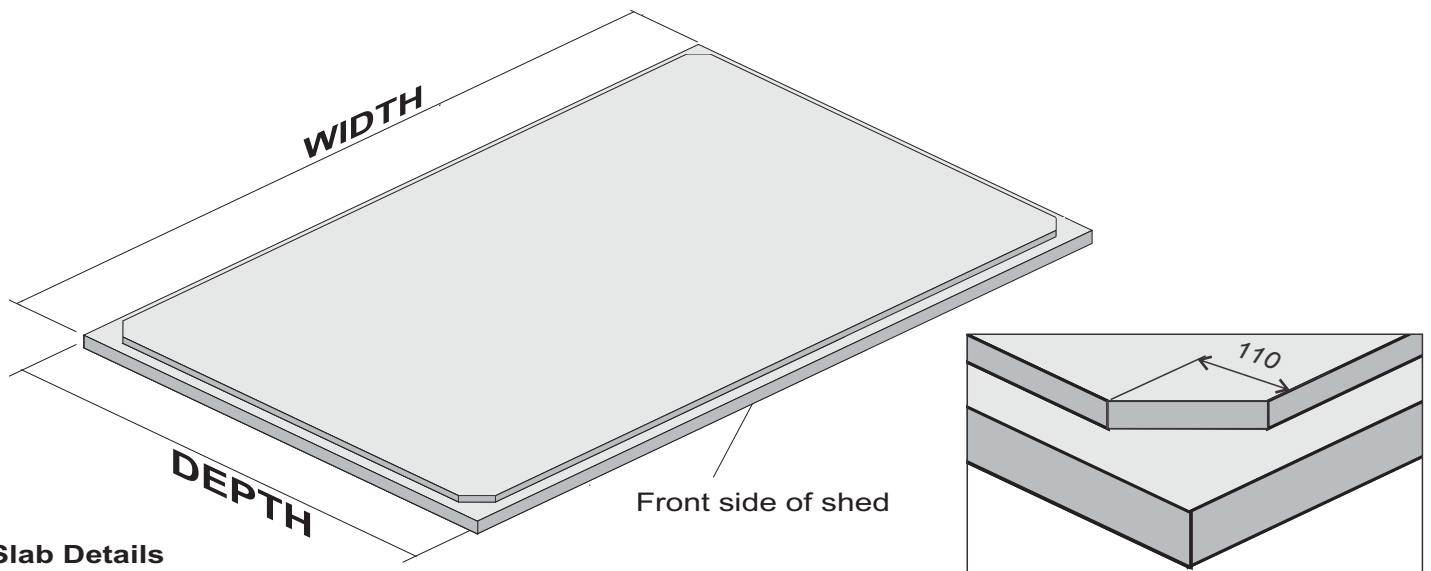
## FOUNDATION



### Recommended slab rebate detail

Although *not required*, it is strongly recommended that, to avoid water leakage around the base of your shed, a rebate be cast into the slab. This will allow the shed to sit below the slab level and prevent water from reaching the upper level of the slab.

If you planning a rebated slab make sure to cut the 4 corners at 110 x 45 as shown in detail below.



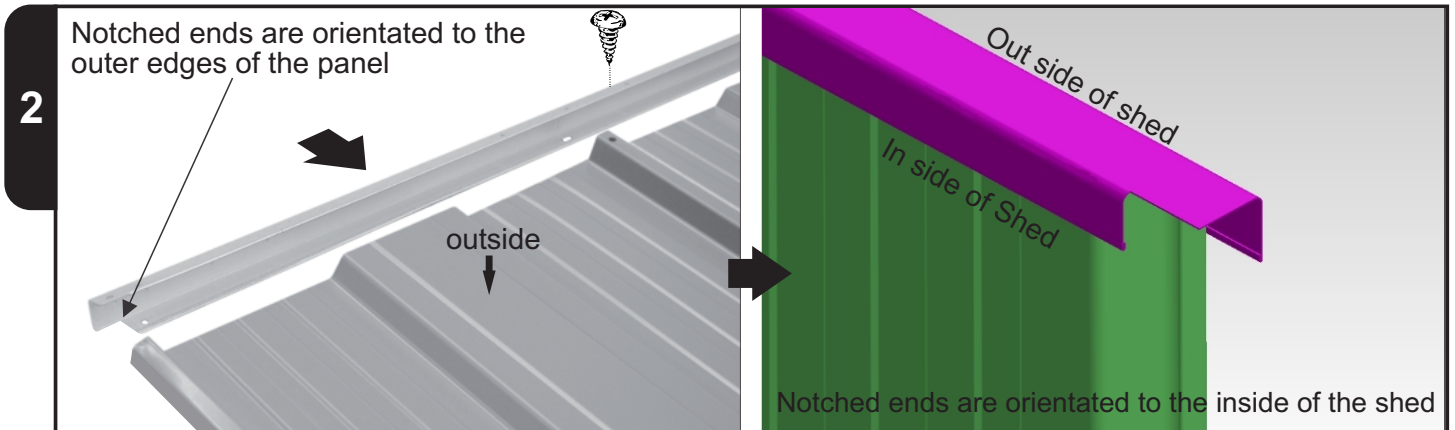
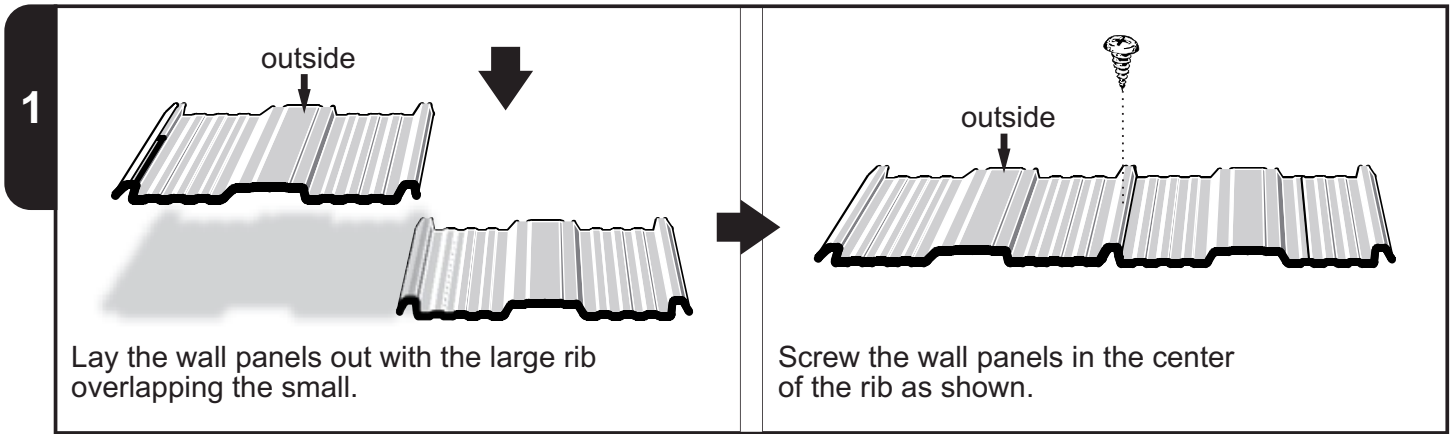
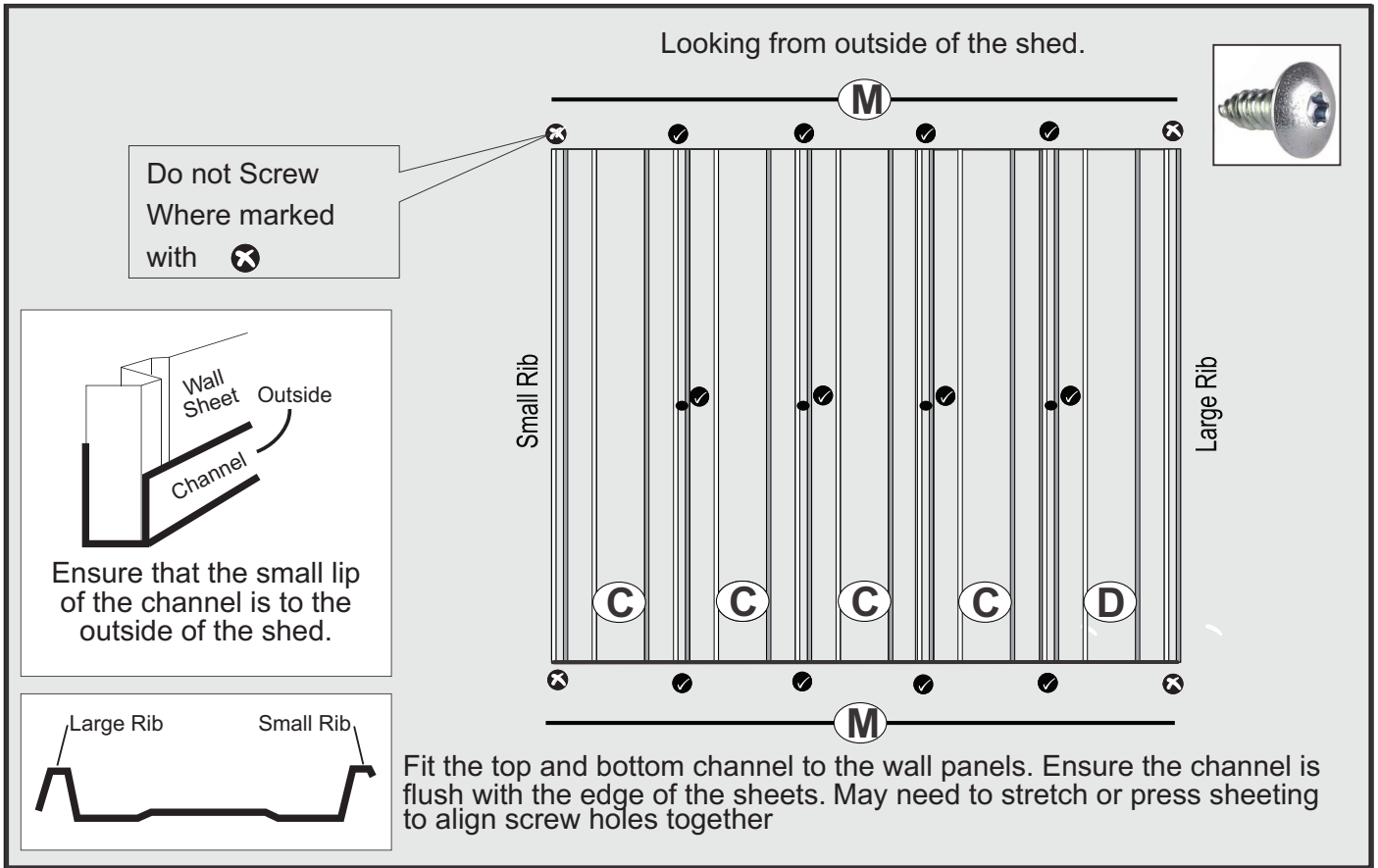
### Slab Details

Your garden shed must be erected on a solid, level and square foundation. We strongly recommend you pour a concrete slab 75mm thick, reinforced with SL62 mesh (minimum) using dimensions from the table below.

**\*Masonry anchors are supplied\***

SHED CODE	OUTER SLAB SIZE width x depth	ANCHORS M8 x 40mm
<b>S53</b>	<b>1865mm x 1170mm</b>	<b>7</b>

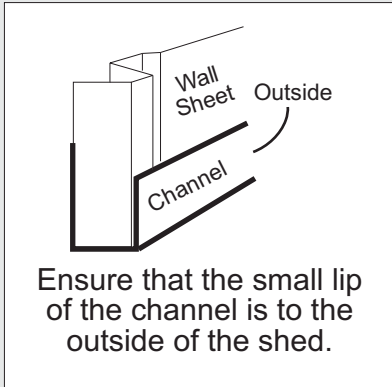
# REAR WALL PANEL



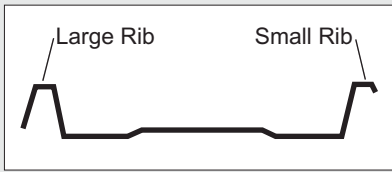
# FRONT WALL PANEL



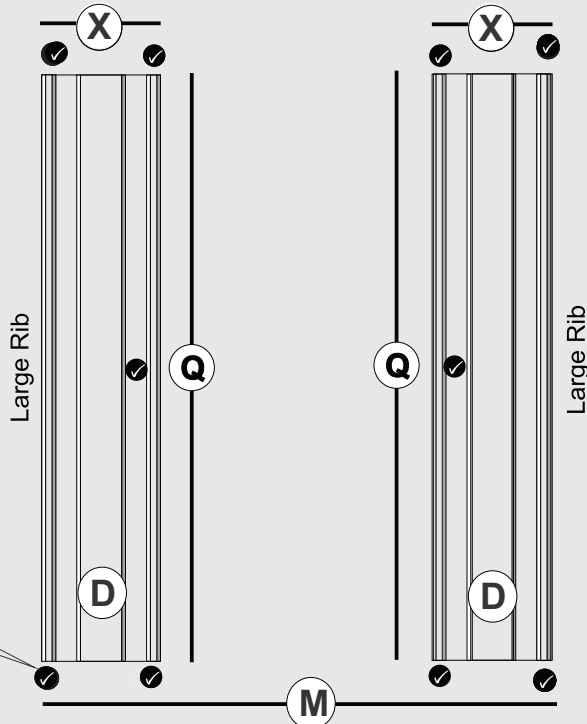
May need to stretch or press sheeting to align screw holes together



Ensure that the small lip of the channel is to the outside of the shed.



Temp Corner screws to help with building



Fit the top and bottom channel and door jambs to the wall panels. It is key to ensure the large rib on the sheets is to the outside of the front wall panel and the channel is flush with the edge of the sheets.

**1** Ends are orientated to the outer edges of the panel. Use H=363mm

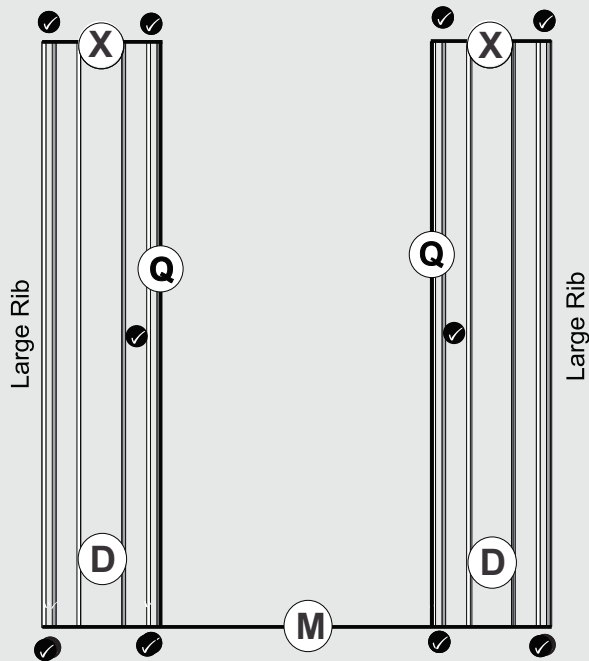
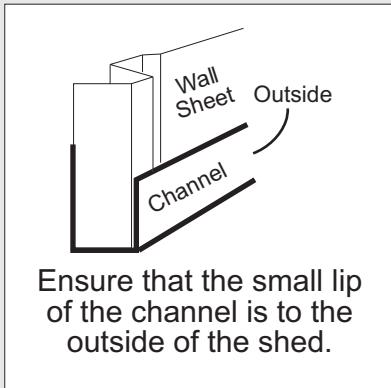
Do not screw it now.

**2** Bottom door jamb connection.

# FRONT WALL PANEL



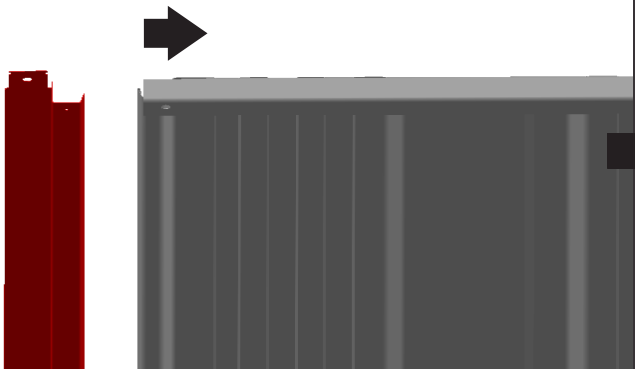
May need to stretch or press sheeting to align screw holes together



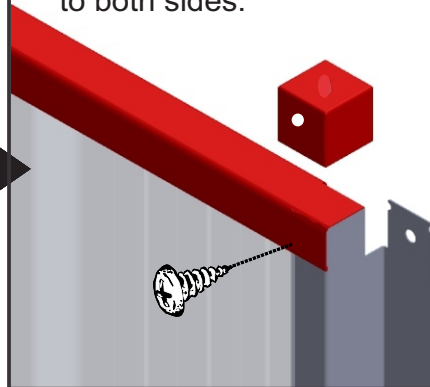
Fit the door jambs to the wall panels.

3

Top door jamb connection.



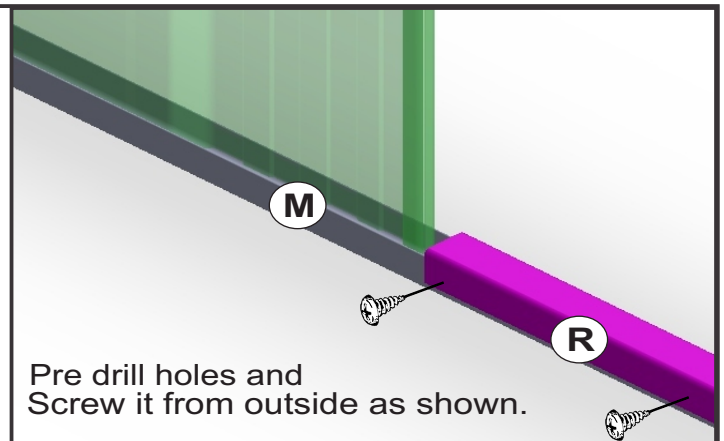
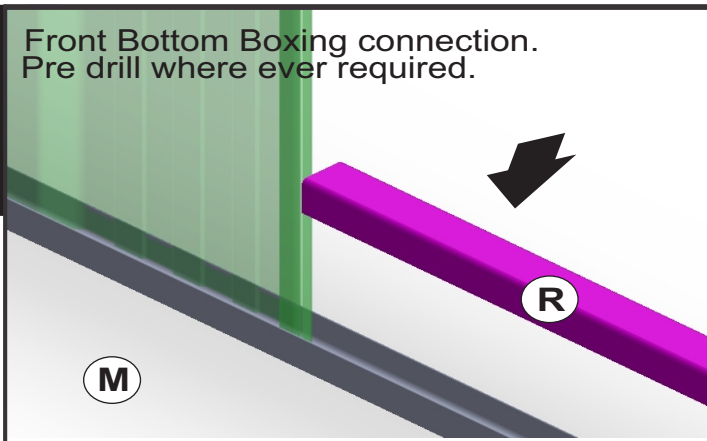
Pre drill the hole and fix through Plastic caps to both sides.



\*\*Cut 2 of the plastic corner cap to the size of 20mm both sides, so it nests neatly to cover this connection and fix with one screw from the front.

4

Front Bottom Boxing connection. Pre drill where ever required.

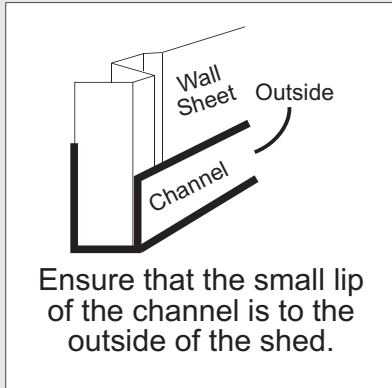


Pre drill holes and Screw it from outside as shown.

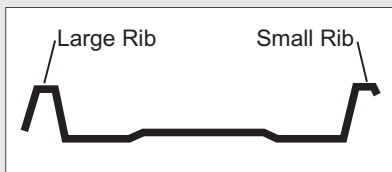
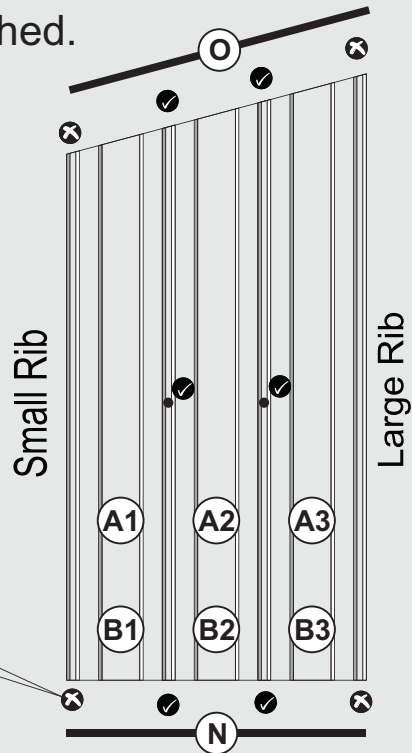
# SKILLION WALL PANELS

Looking from outside of the shed.

May need to stretch or press sheeting to align screw holes together

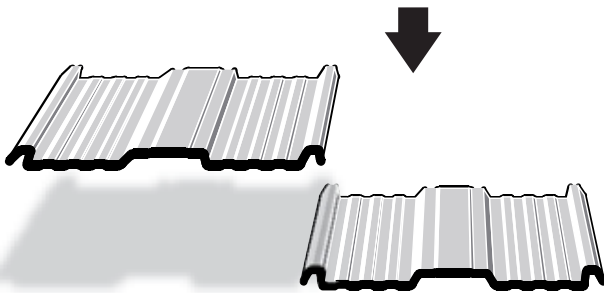


Do not Screw Where marked with



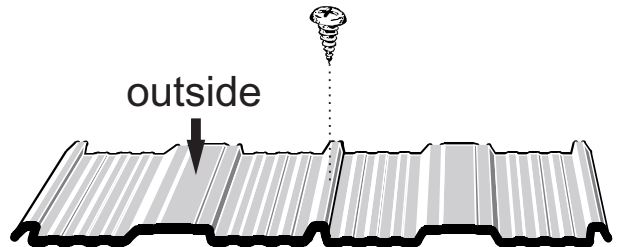
Fit the top and bottom channel to the wall panels. Ensure the channel is flush with the edge of the sheets. Use A1,A2,A3 sheeting to fit one side panel similarly B1,B2,B3 for the other side panel.

1



Lay the wall panels out with the large rib overlapping the small.

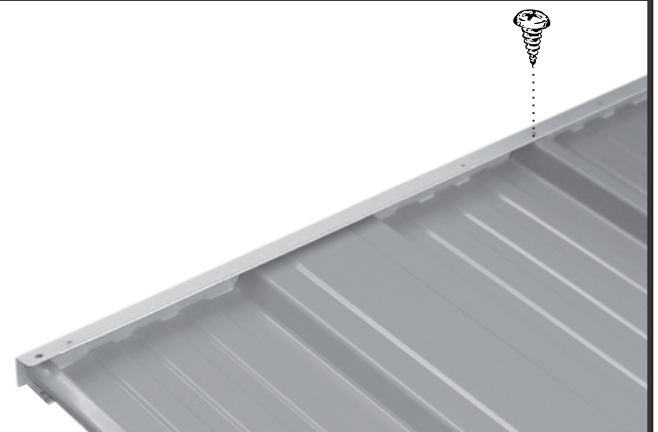
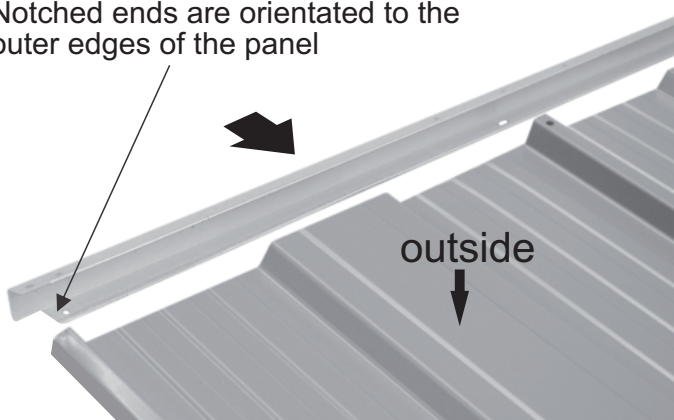
outside



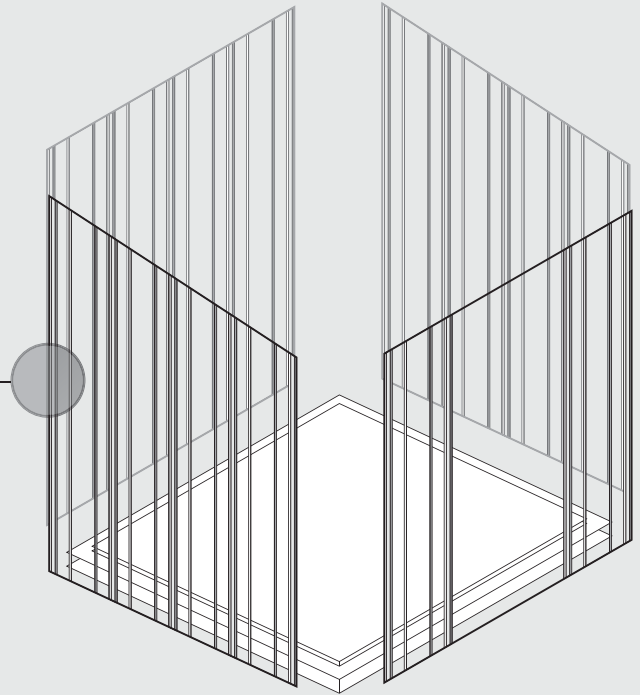
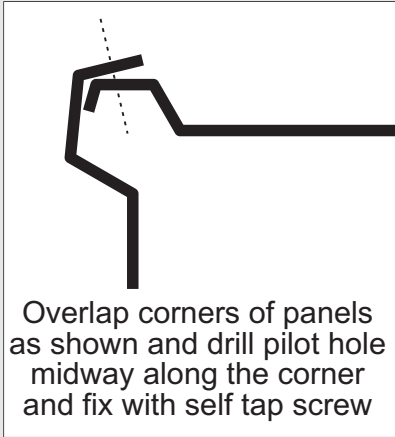
Screw the wall panels in the center of the rib as shown.

2

Notched ends are orientated to the outer edges of the panel



# STAND AND JOIN WALL PANELS



Once the all wall panels are assembled, they can now be stood and fixed together. Fix using the corner brackets and screws as shown below. Fix the front panel last. Extra care should be taken, with second person providing adequate support to stop the wall from distorting.

**1** Make sure the panels are perfectly square before fixing with bracket.

Pre drill on channel through the bracket holes

Fix the Screws through bracket, channel and sheeting where ever possible as shown here.

**2**

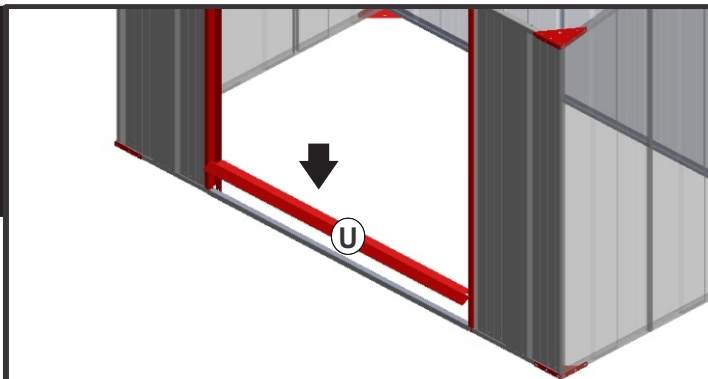
Similarly fix all the 8 corners using brackets. It is very important to keep the all 4 panels square to each other.

On top side of the shed, use 5 Screws to fix the bracket on the top channels, total of 11 screws per bracket.

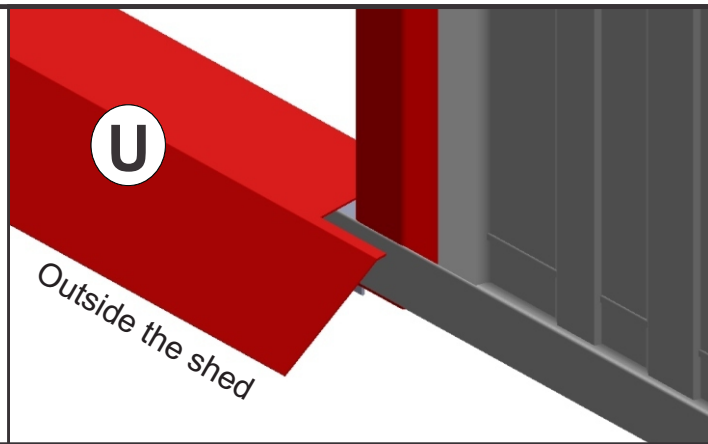
Pre Drill holes if required, to fix the center screw.

Screw the corner joints at the mid point of the shed as shown

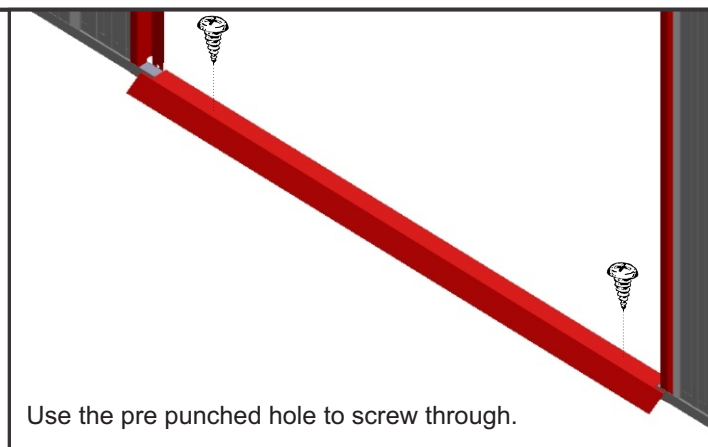
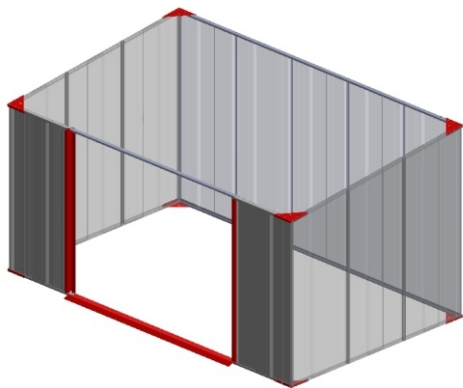
## FRONT WALL PANEL



Place the Door Ramp "U" on top of channel "R". check the orientation of the Ramp.



Now Screw it using silver screw from top as shown.



# LID PANEL

Ensure that the small lip of the channel is to the outside of the shed.

Large Rib

Small Rib

Rear side

Do not Screw Where marked with X

S

E

E

E

E

E

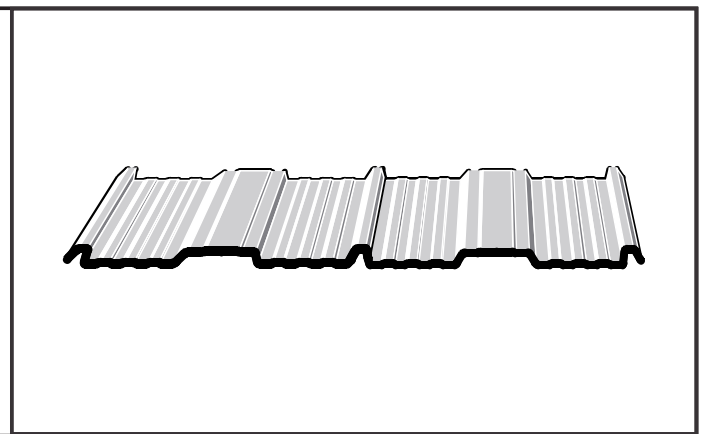
S

Attach the channel "S" to the rear side and secure it with 4 screws leaving the corners as shown. Align the other "S" channel at front, do not screw yet (refer next page).

1

outside

Lay the Lid panels out with the large rib overlapping the small.



2

Notched ends are orientated to the outer edges of the panel

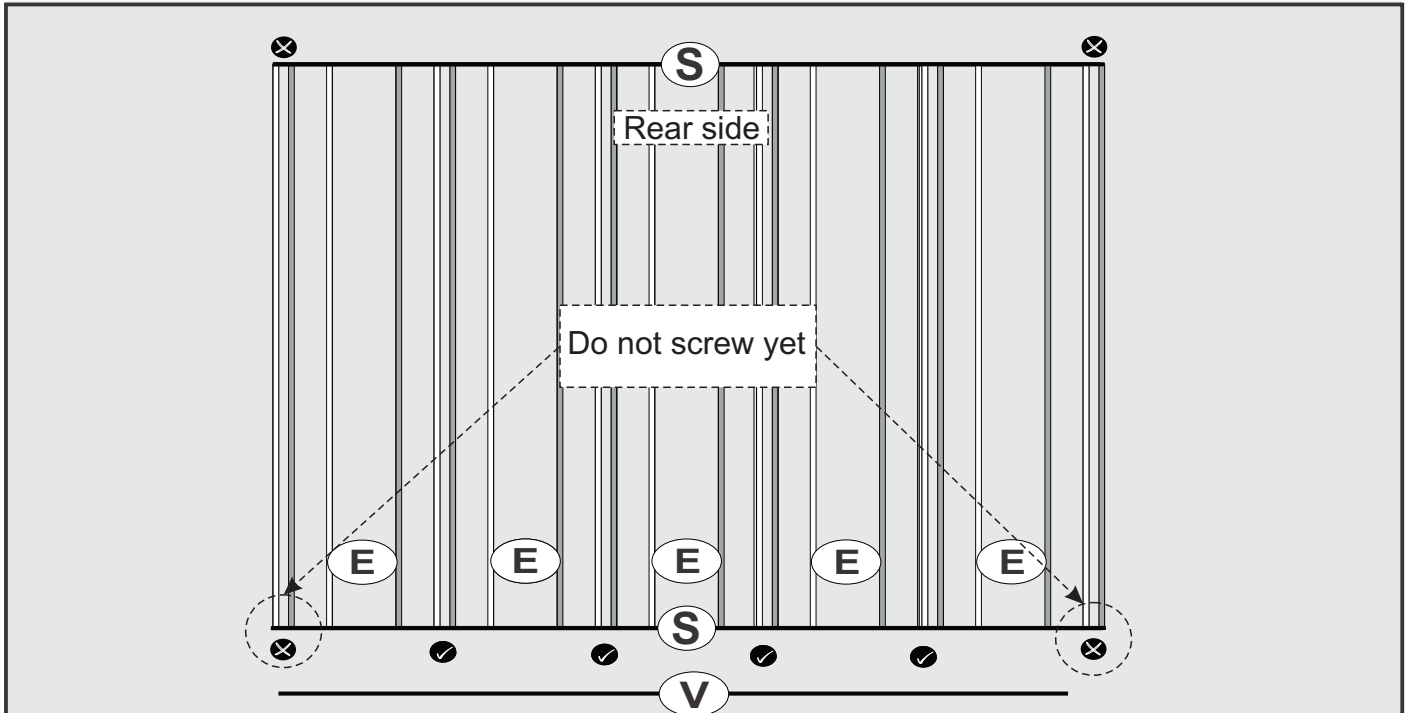
Top side

Do not Screw yet

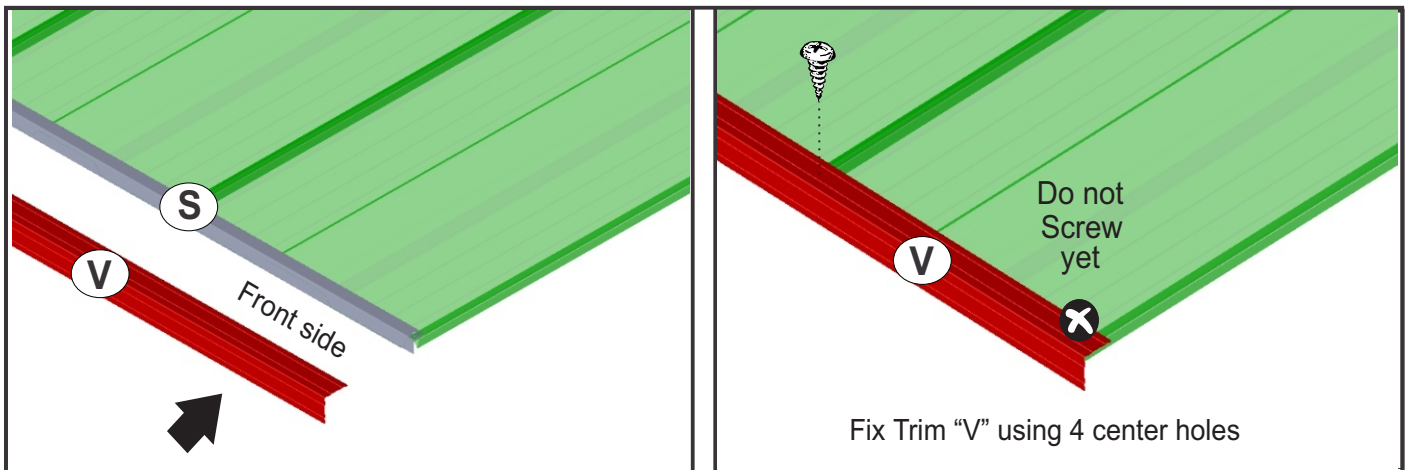
Rear side

Top side

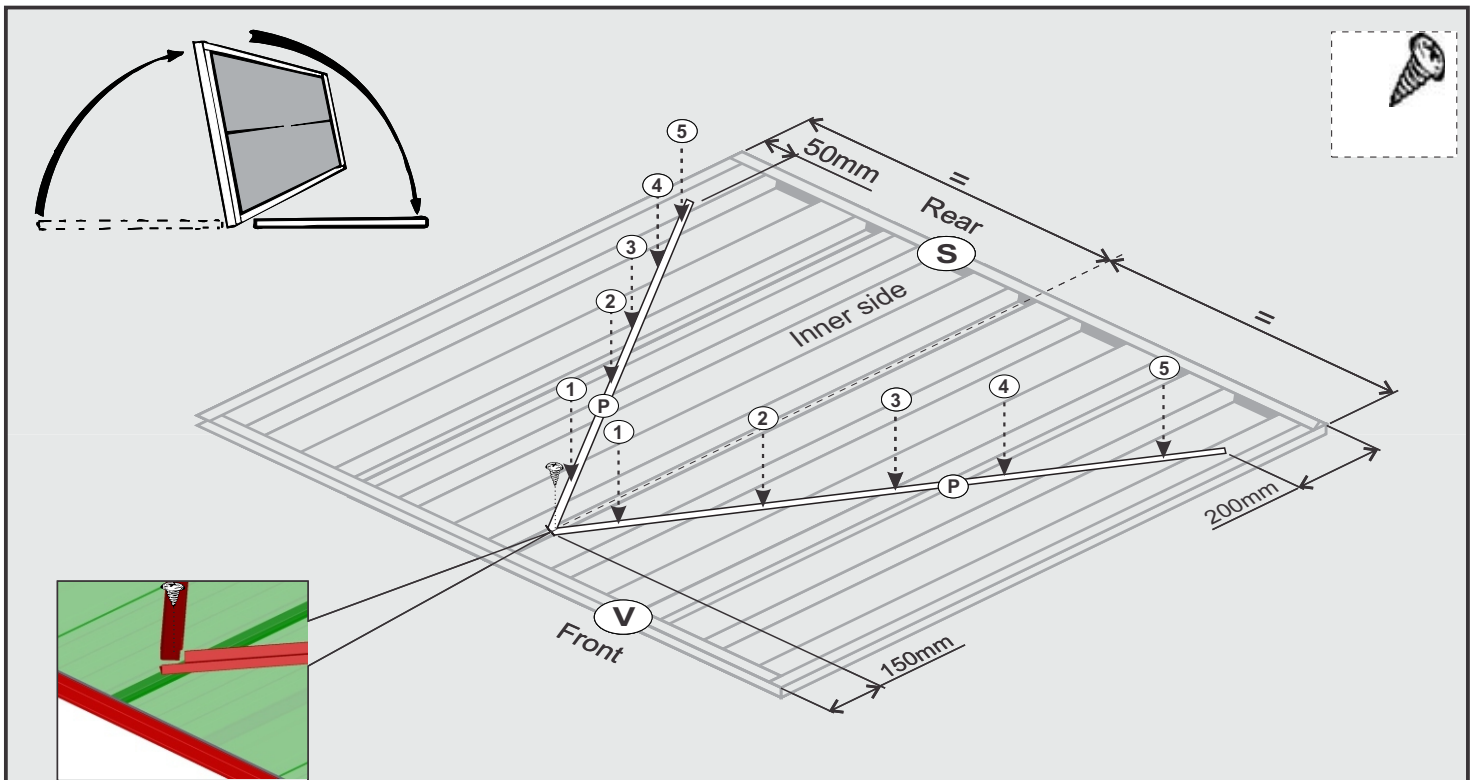
# LID PANEL



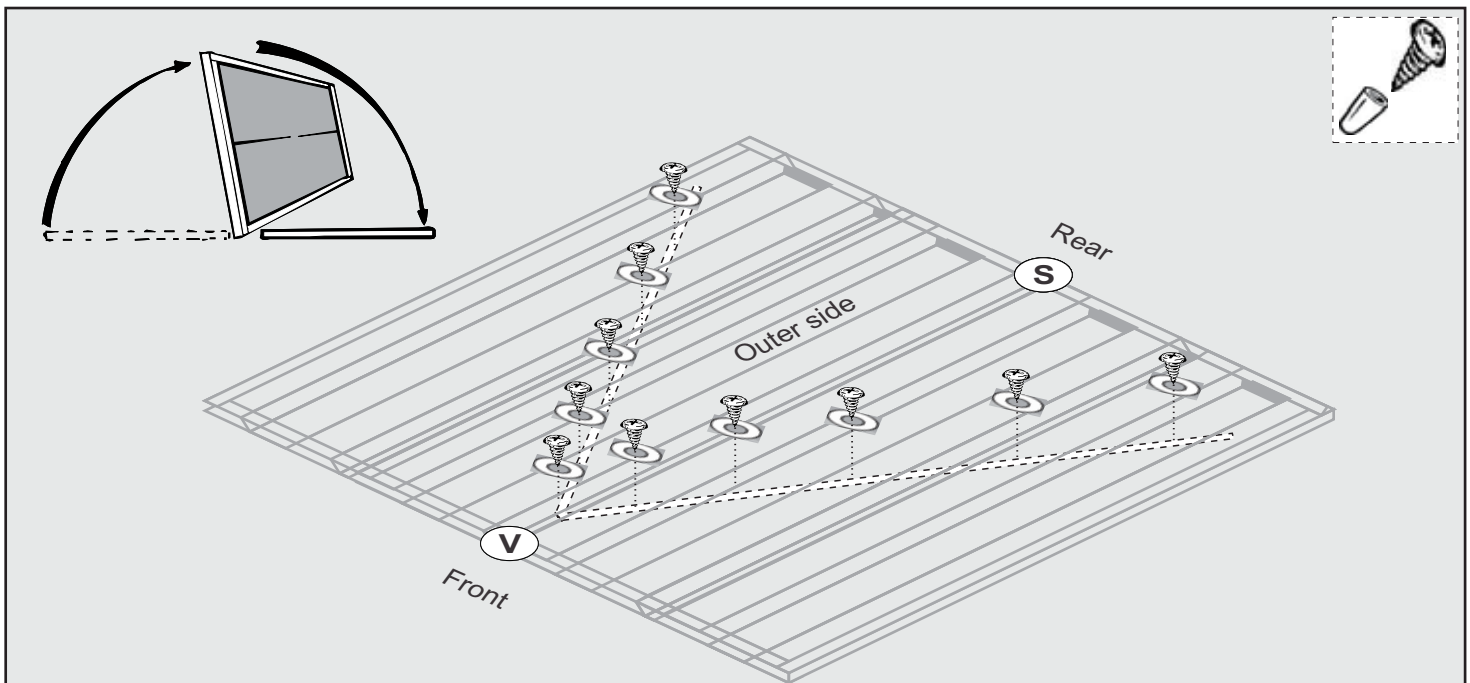
Place the front gutter trim "V" on top of the channel "S" and secure it by screwing 4 middle holes as shown with the mark "E"  
Make sure the screws are securing the Trim through channel "S" and to the sheeting.  
Do not screw where it marked with "X"



# LID Bracing

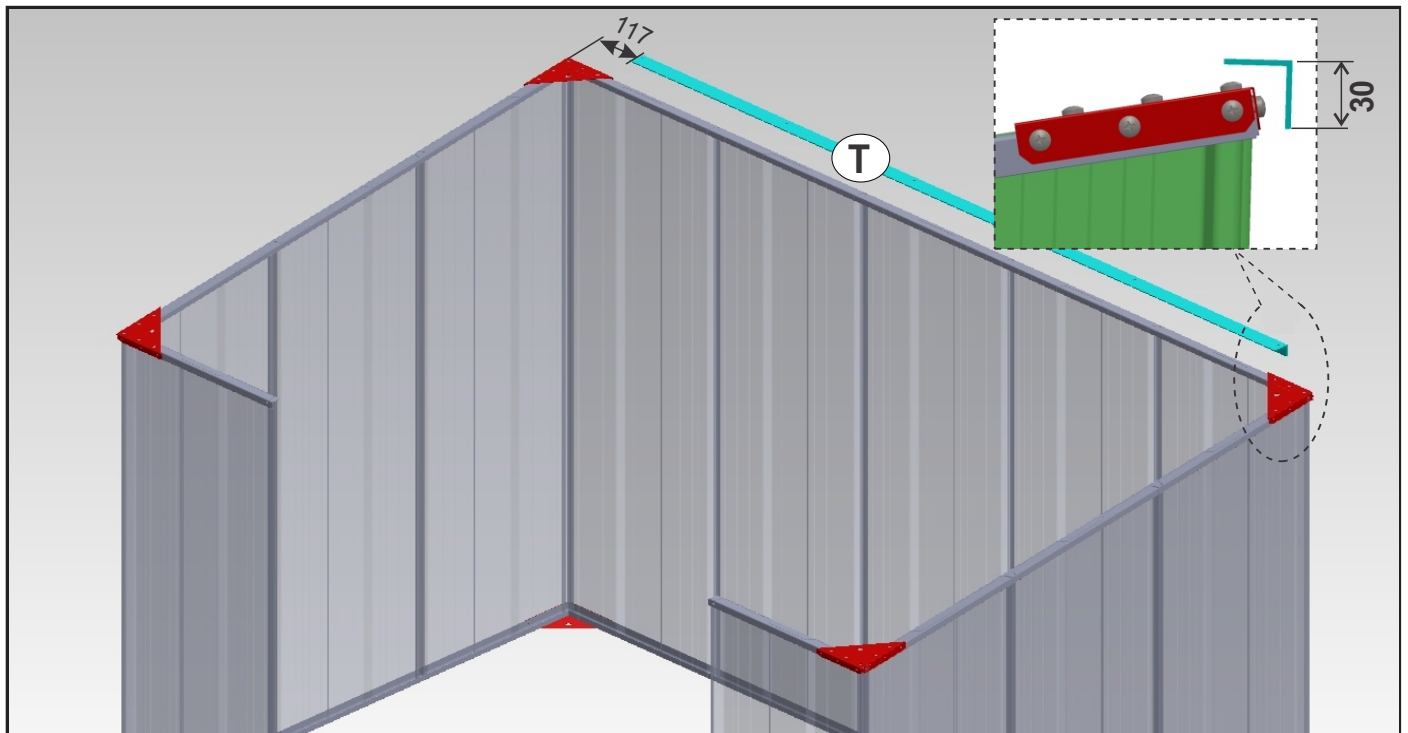


Flip the Frame over so that the inner side of the roof on top, and place the Roof Bracing Channels "P" as Shown, on the inner side of the roof. Screw the front side, and adjust to the given dimensions from the edges of the roof panel. Now Pre drill 5 holes on sheeting pan through each channels.

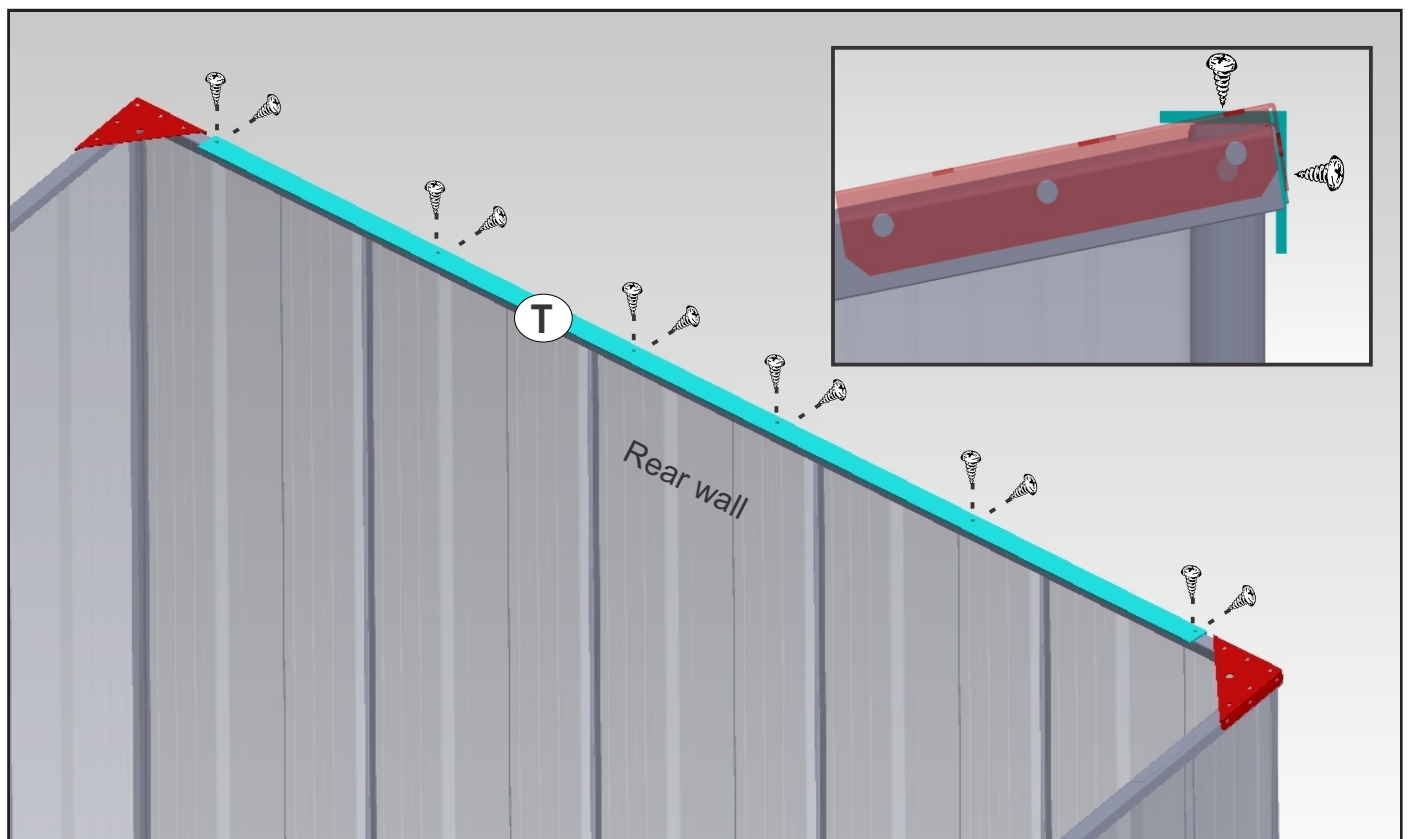


Flip the Roof back over to the Top side facing up. Using the pilot holes drilled before, fix the Roof bracing from the front with self tapping screws with washer. Make sure to position the bracing channel completely inside the roof channels. Use washer on outside the roof sheeting and screw cap on inside.

## LID PANEL

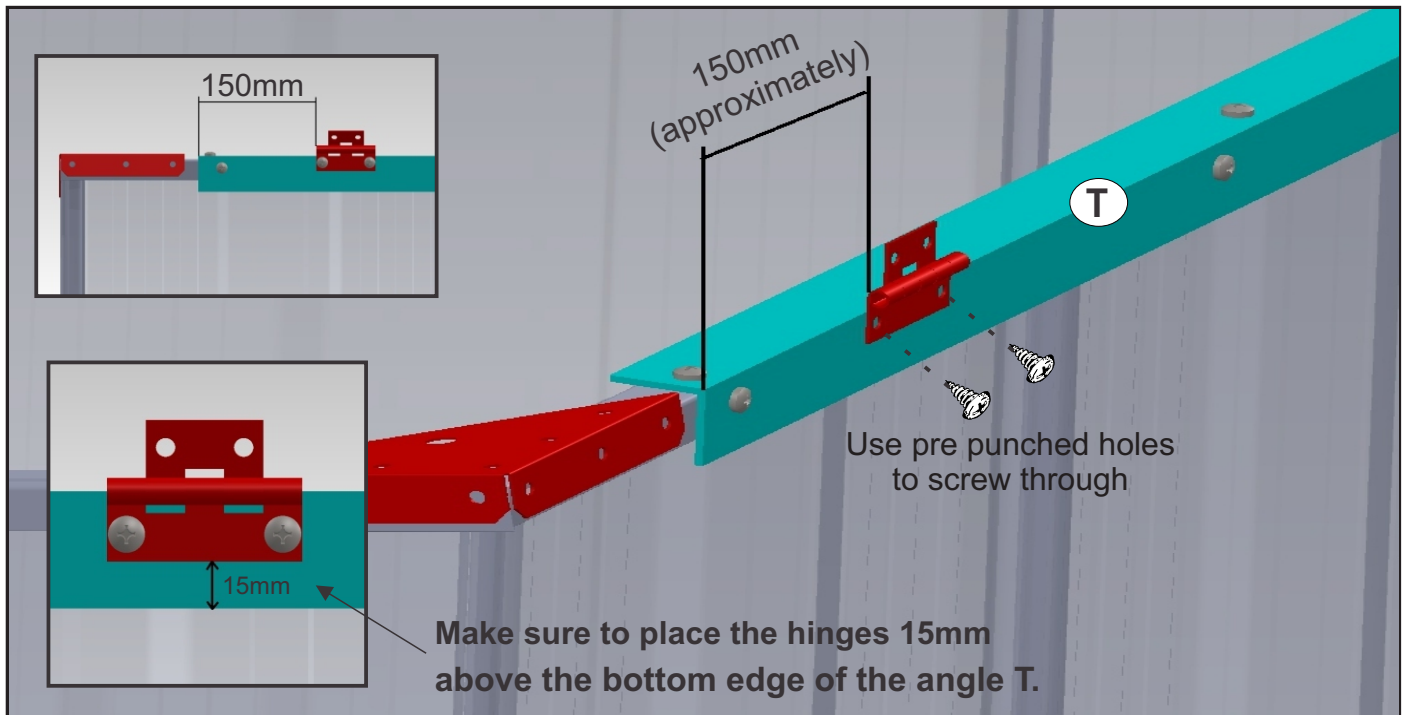


Place angle "T" on top of the rear wall channel as shown here. Make sure to place the angle equal distance (117mm) from both side of the shed.



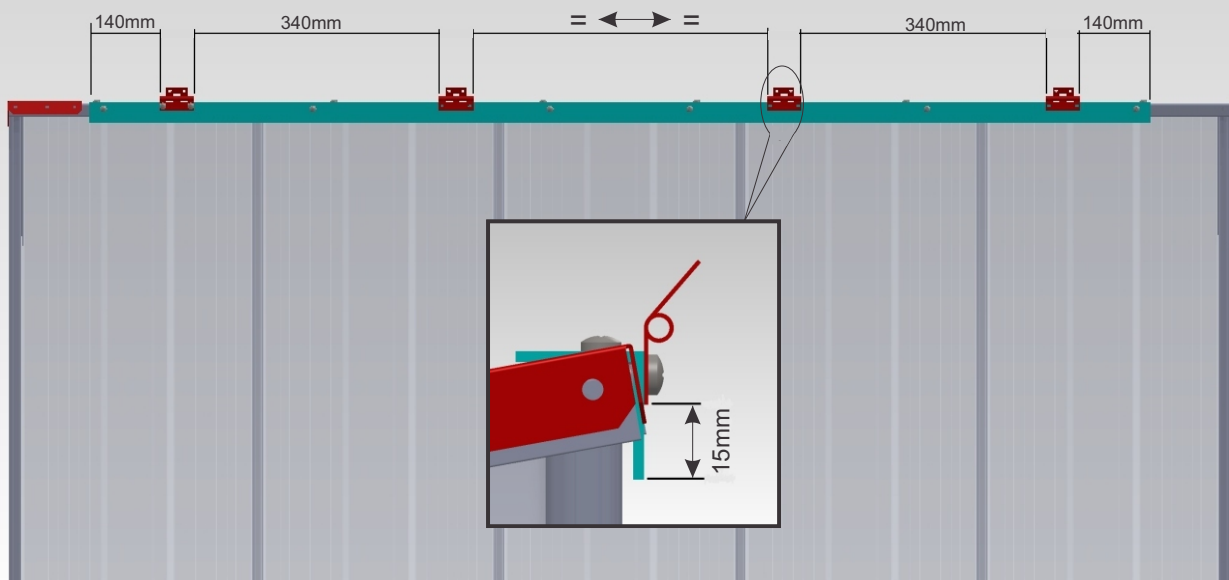
Now screw the angle "T" to rear wall top channel. Use the pre drilled holes on top and sides. Make sure you do not screw the holes for fixing 4 Hinges later.

## LID PANEL



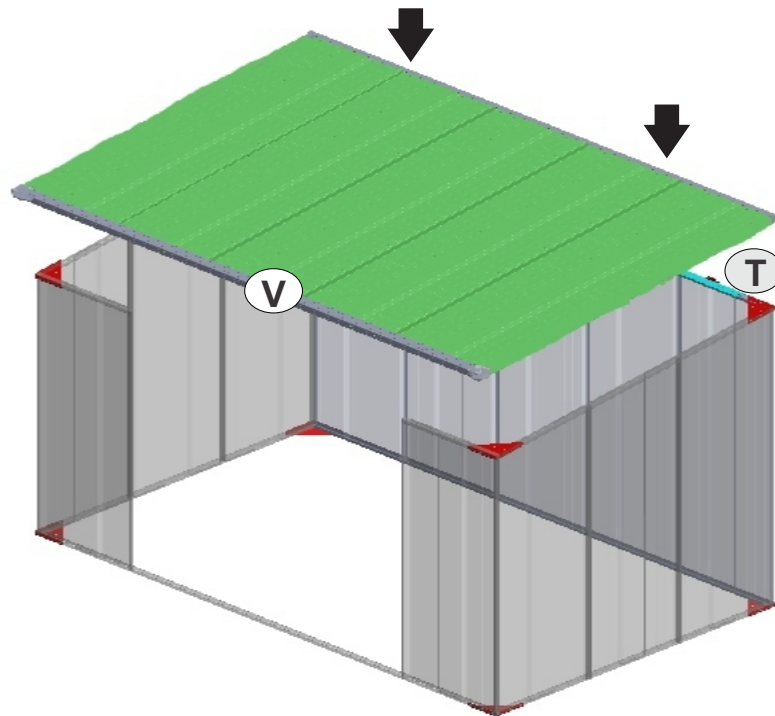
Now Fix the Hinges as shown here. The first hinge should be 150mm away from the edge. It is very important to follow the same orientation of the hinges as here.

Fix the Hinges as shown take this dimensions as reference (these dimensions are approximate)

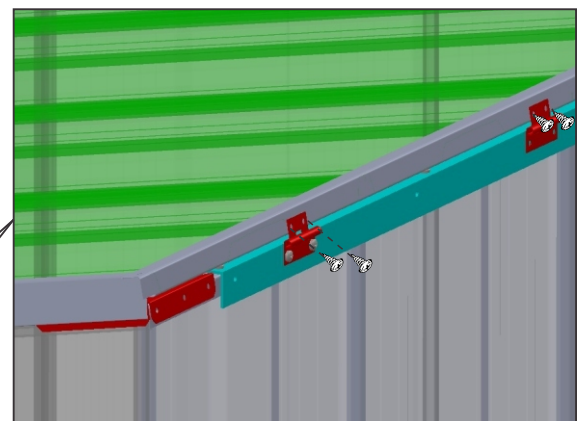
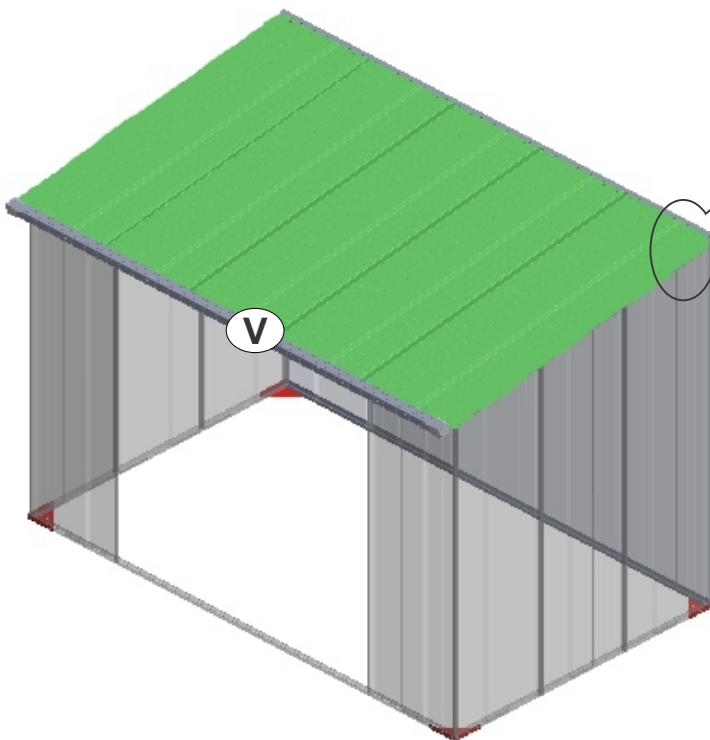


Shown the rear side of the shed.

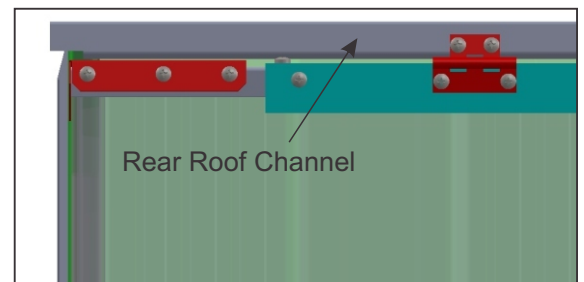
## LID PANEL



Now Place the roof Panel on top of the walls such a way that the Gutter trim "V" positioned towards the front of the shed, and the roof rear channel sit on top of the angle "T". Make sure that the roof panel is squar to the shed.



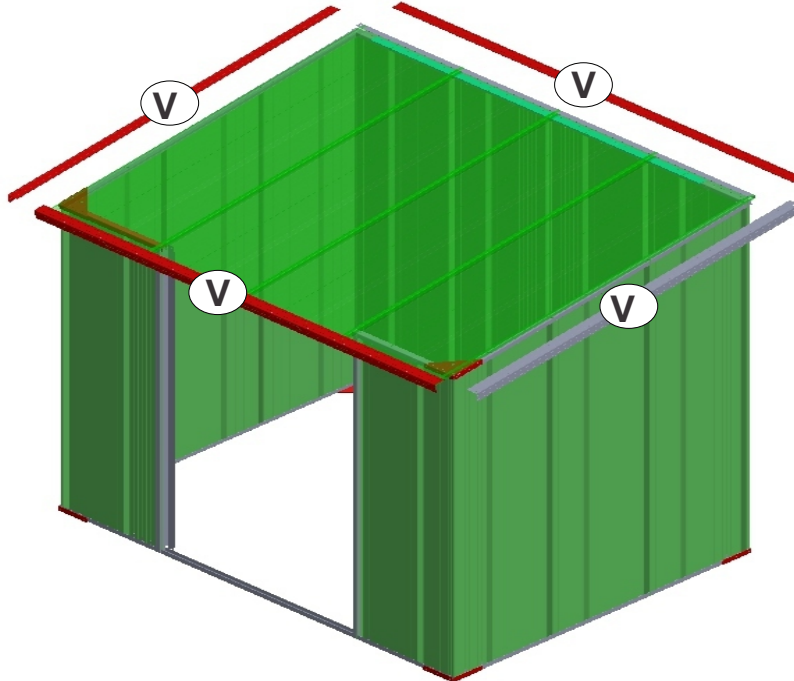
Fix the Roof panel through the hinges as shown.



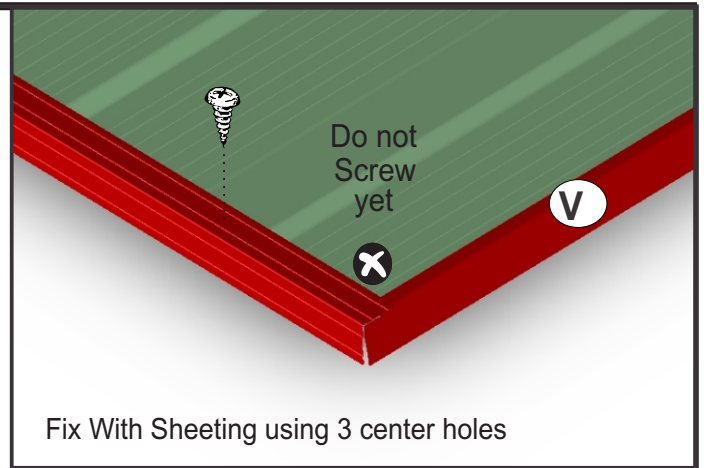
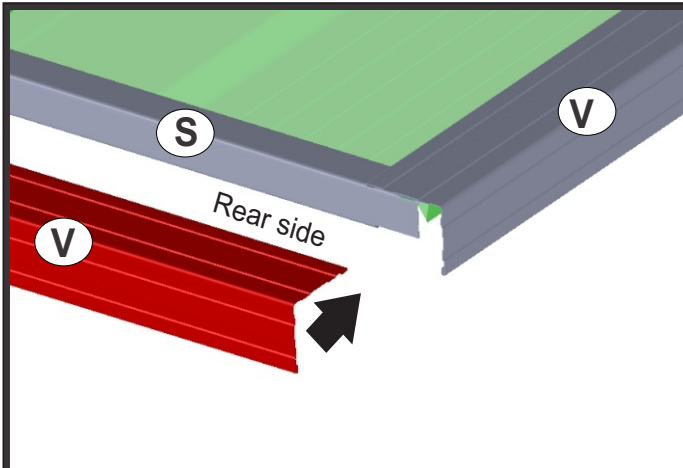
Position the roof panel perfectly on top of the shed so that it overhang equally on both side of the wall. Screw it through the hinges.

## LID PANEL

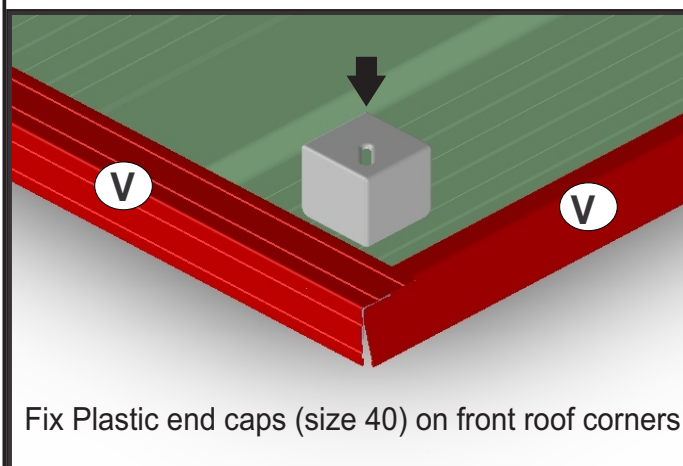
Now place the gutter trim "V" at the rear side of shed as shown. Fix this Angle "V" through the sheeting in 3 places (Remove the screws previously fixed). Now Slide the Angle "W" underneath the front and rear Angle "V". and fix the corners using corner cap as in details below.



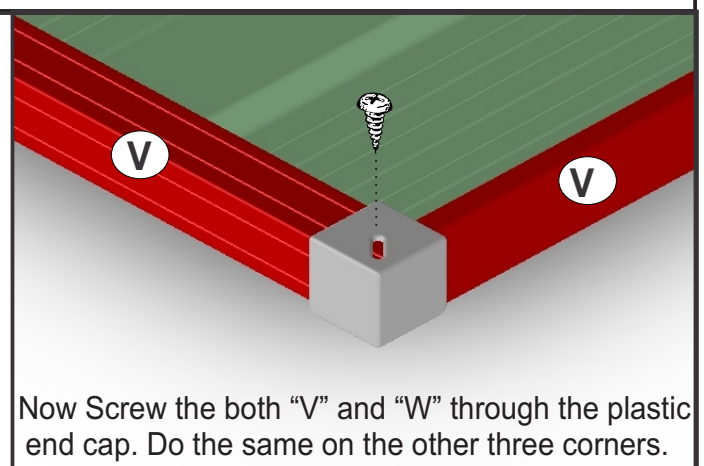
(Picture represents S43 Shed. Assembly procedure is similar for this shed).



Fix With Sheeting using 3 center holes

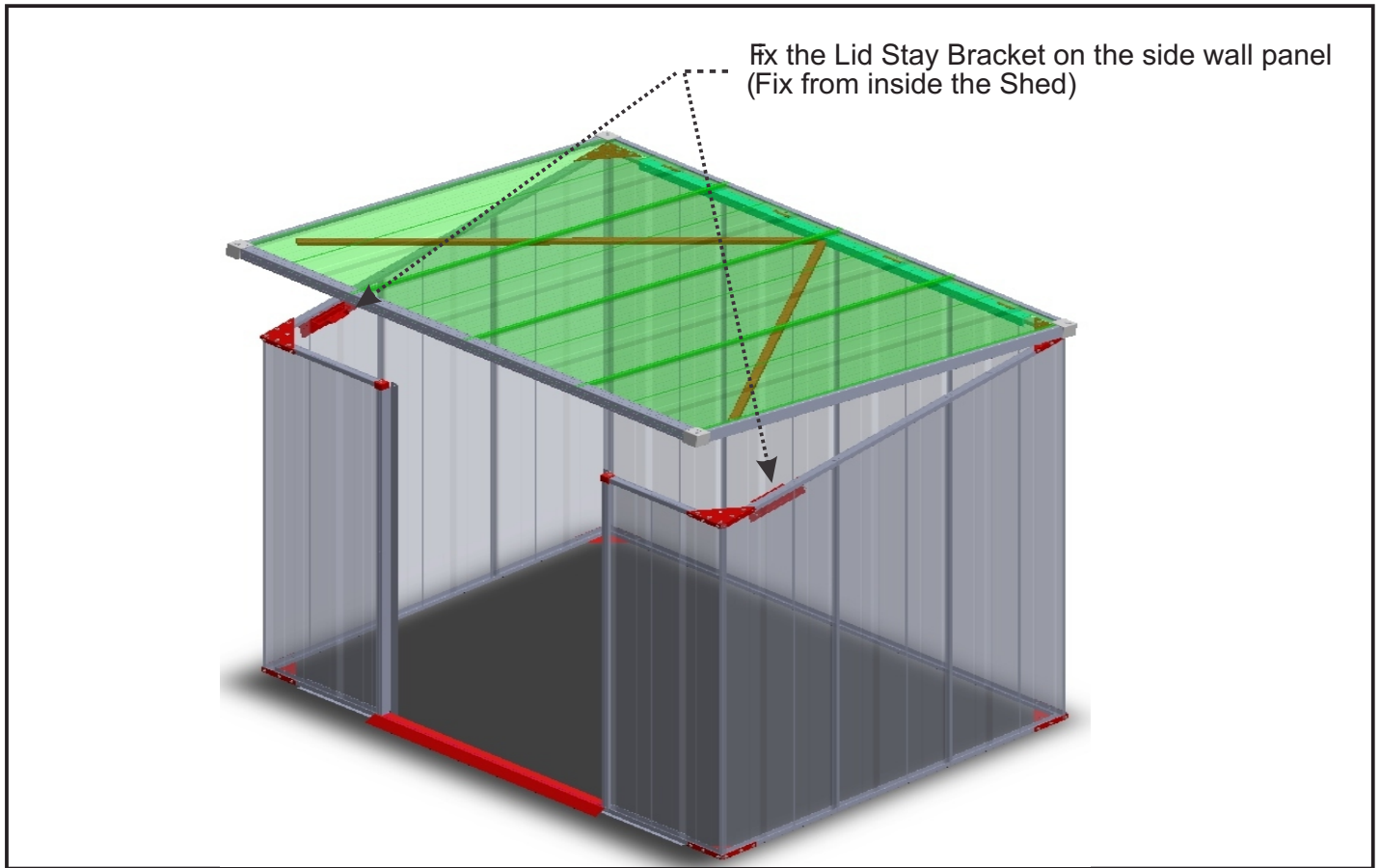


Fix Plastic end caps (size 40) on front roof corners.

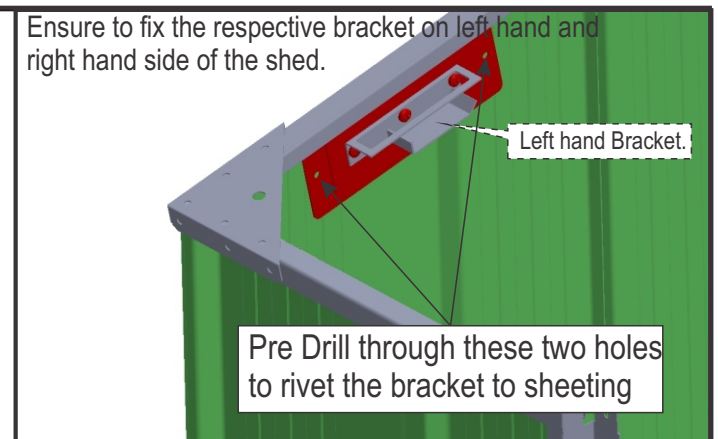
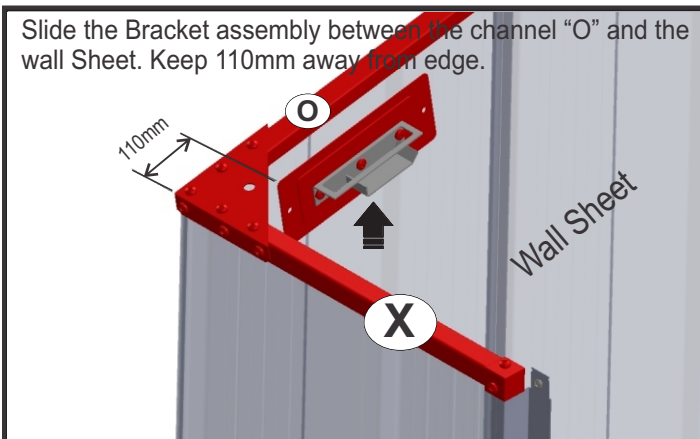
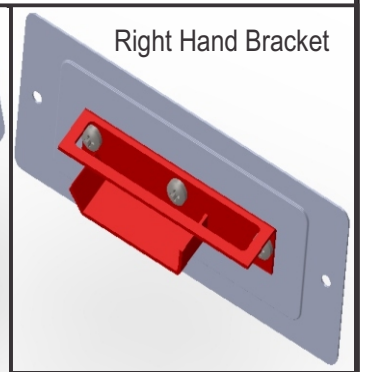
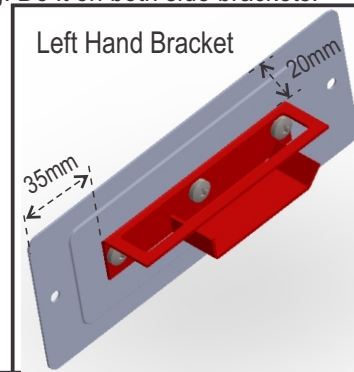
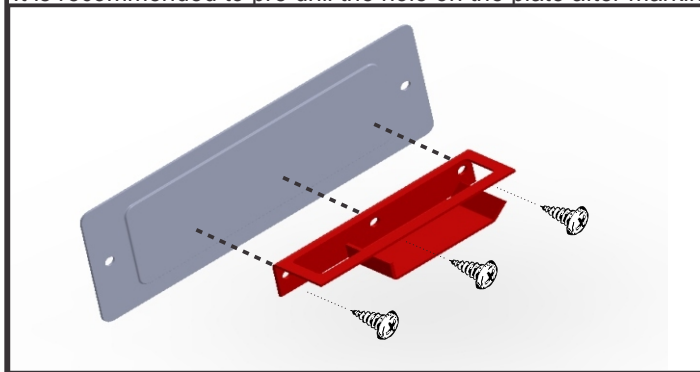


Now Screw the both "V" and "W" through the plastic end cap. Do the same on the other three corners.

# Fix Lid Stay Bracket



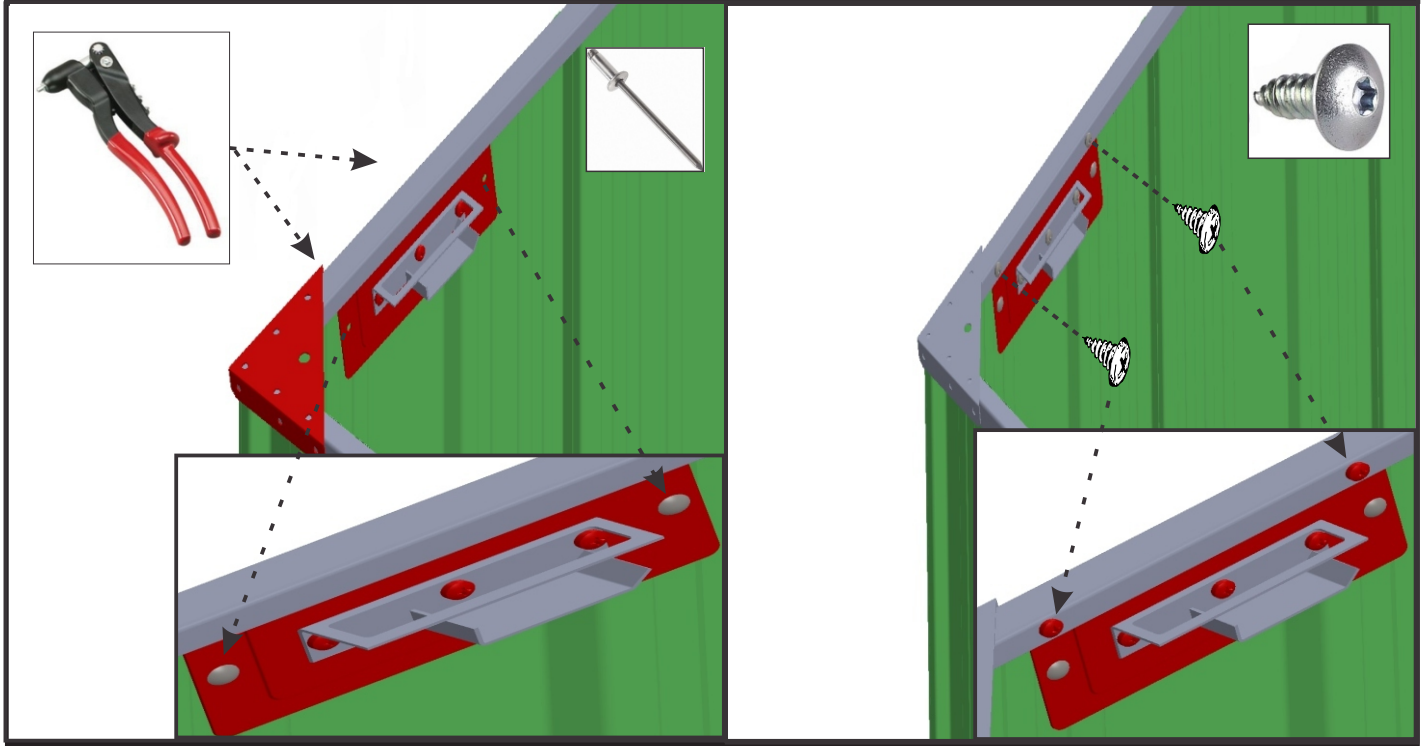
Fix the bracket on the Plate as shown. Make sure the bracket fixed on the center of the plate. Use 3 silver screws to fix it. It is recommended to pre drill the hole on the plate after marking. Do it on both side brackets.



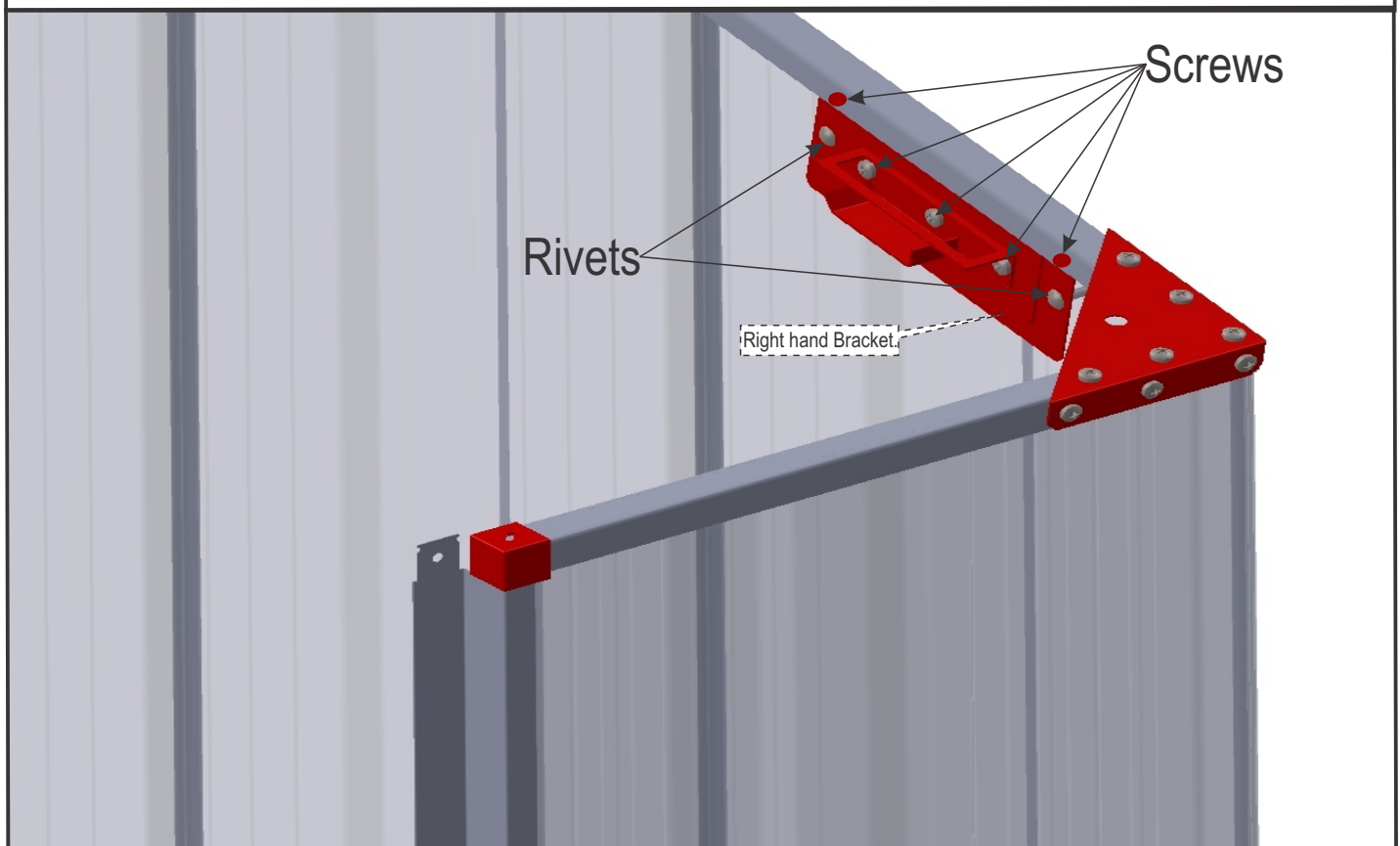
## Fix Lid Stay Bracket

Step 1: Rivet the assembly to the sheet from outside the shed through the two pre drilled holes.

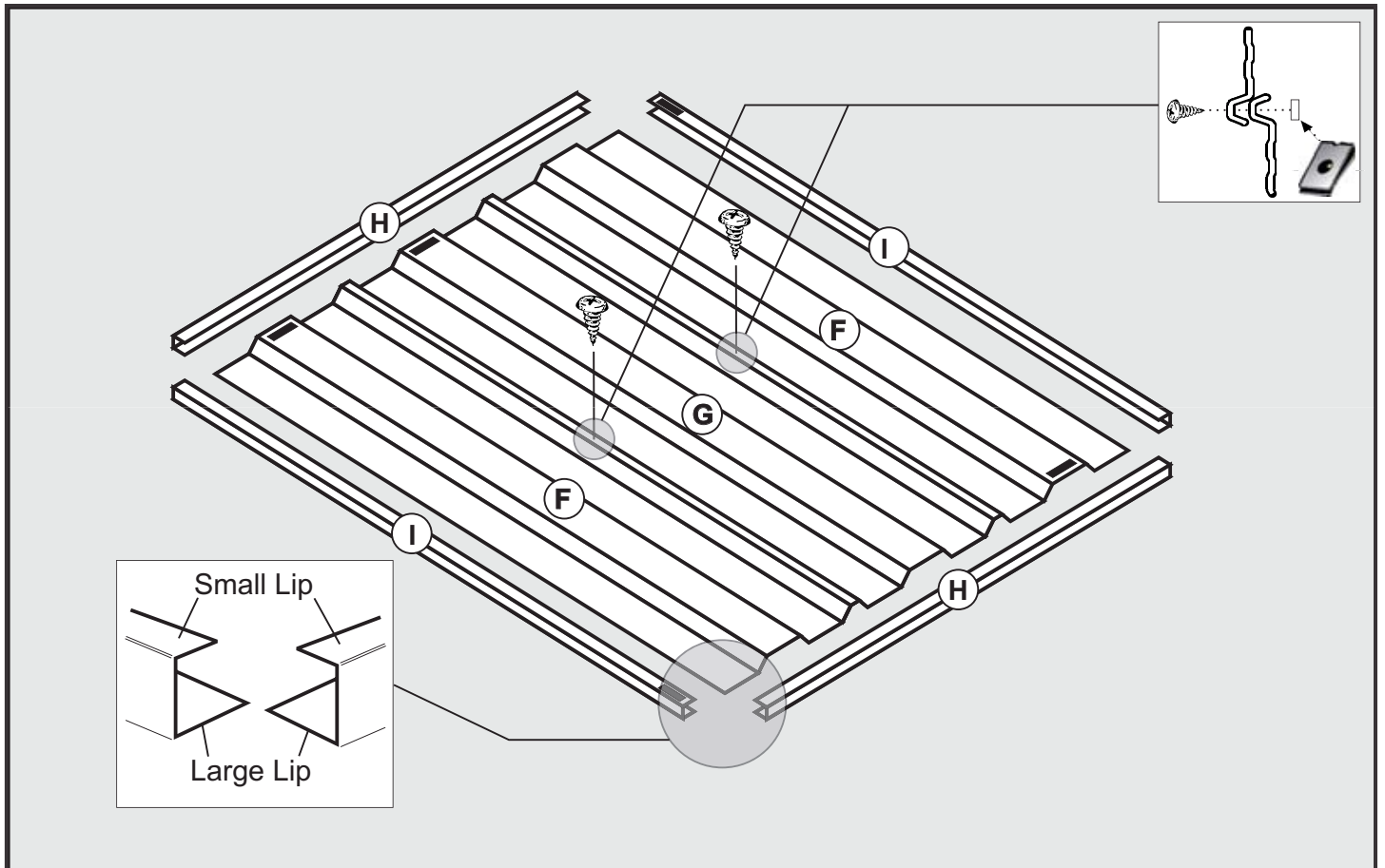
Step 2: Screw the assembly through the top channel as shown, Make sure the screw passes through the sheeting as well. It is recommended to pre drill the holes for the screws as well.



Follow the same procedure to fix the assembly to the Right hand sheeting as shown here.



# ASSEMBLE DOOR



**1**

Two of the door sheets come with one rib partially slit. Break them off and discard them.

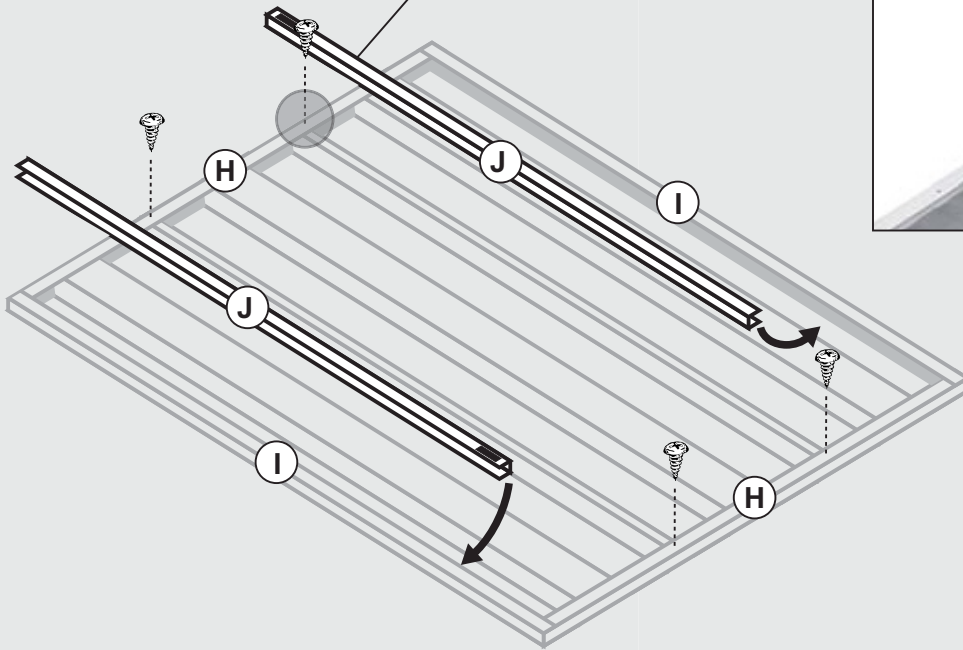
Screw the sheets in the center.

**2**

Frames slide under the sheet as shown. Ensure the small lip of the frame is to the top.

Fix door frames with a screw in each corner. Ensure that the big hole sits over the small.

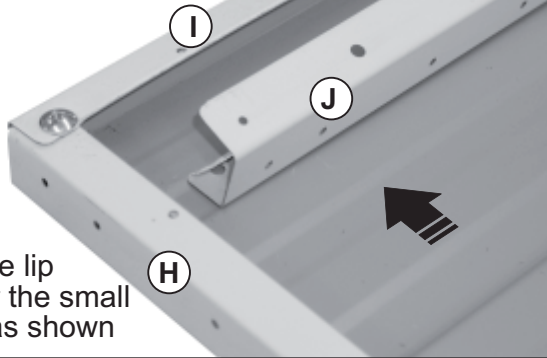
# ASSEMBLE DOOR



Fix the frame "H" to the sheeting with screws through the small channel lips into the large sheeting ribs. Door boxing must be fitted to the door frame.

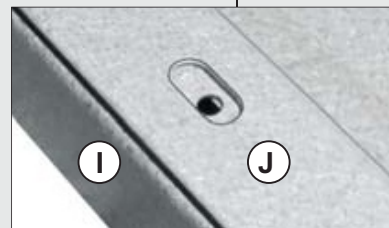
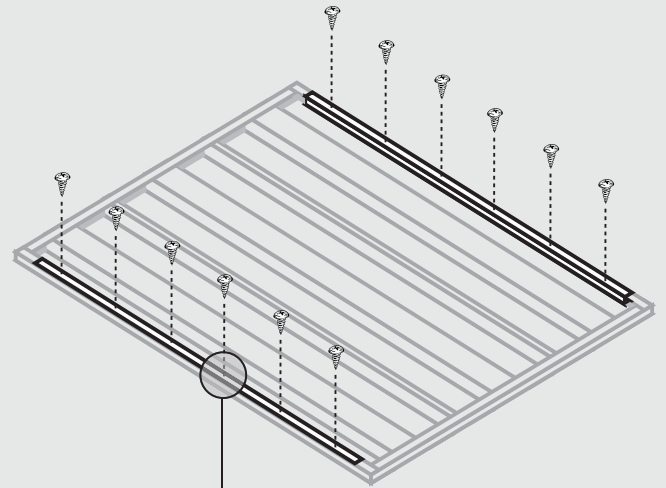
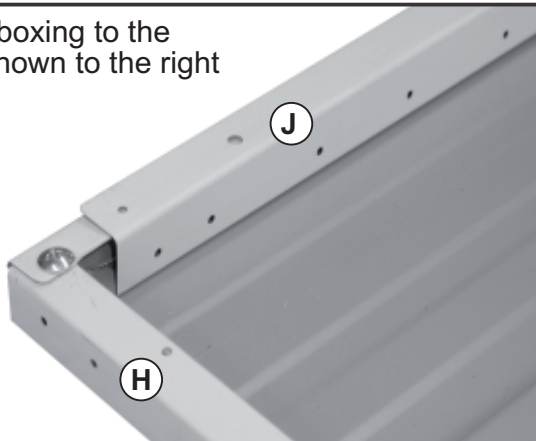
3

Leave an even gap at both ends of the boxing.



Place large lip of "J" over the small lip of "H" as shown

Screw the boxing to the frame as shown to the right



Fix both door boxing in place using six (6) screws.

# ASSEMBLE DOOR

**Pre-drill & screw from the side**

Notched ends.

Join both channels to a length of 1475mm as shown.

Inside of door

1 2 3 4 5 6

Flip the door assembly over and fix with screws evenly spaced as shown above. Pre Drill 6 holes on the bracing channel “K” through 4 on the sheeting and 1 each at the top and bottom channels “H” as shown below. Make sure to slide the notched end of bracing, slide under the Channel “H”.

**4**

Inside of door

Inside of door

Drill pilot hole for top and bottom bracing joint, and fix with self tapping screw.

Inside of door

Inside of door

Screw the bracing to bottom channel “H”

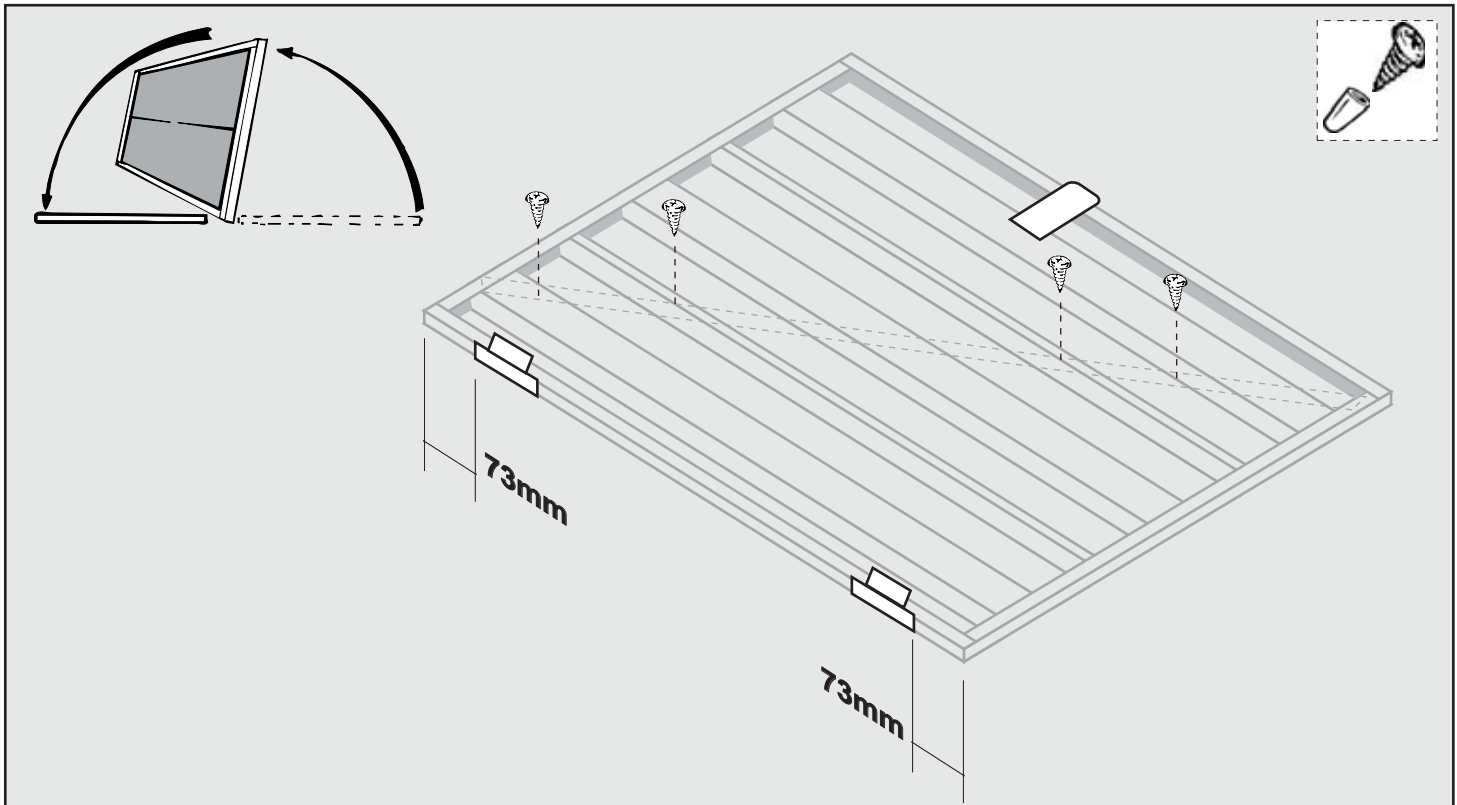
**5**

Inside of door

Inside of door

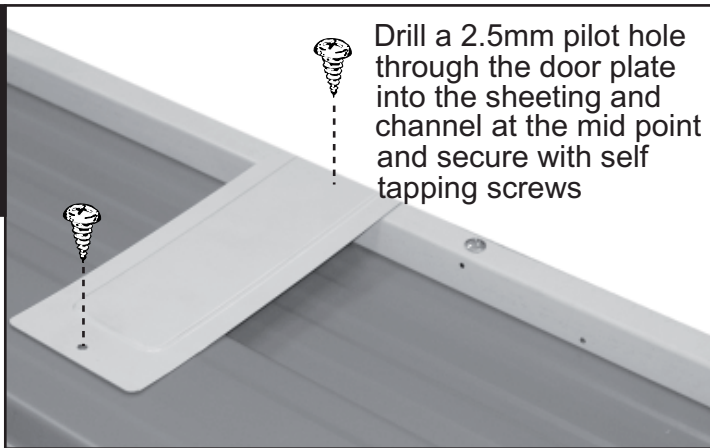
Now screw the bracing under the channel “H” as shown.

# ASSEMBLE DOOR

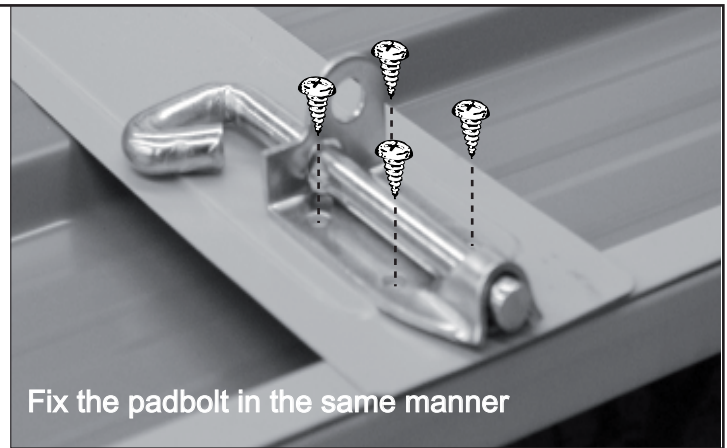


Flip the door back over to the front side facing up. Using the pilot holes drilled before, fix the door bracing from the front with self tapping screws.

6

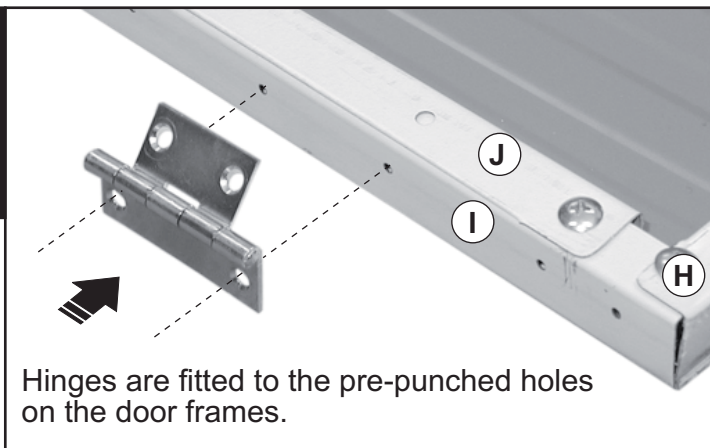


Drill a 2.5mm pilot hole through the door plate into the sheeting and channel at the mid point and secure with self tapping screws

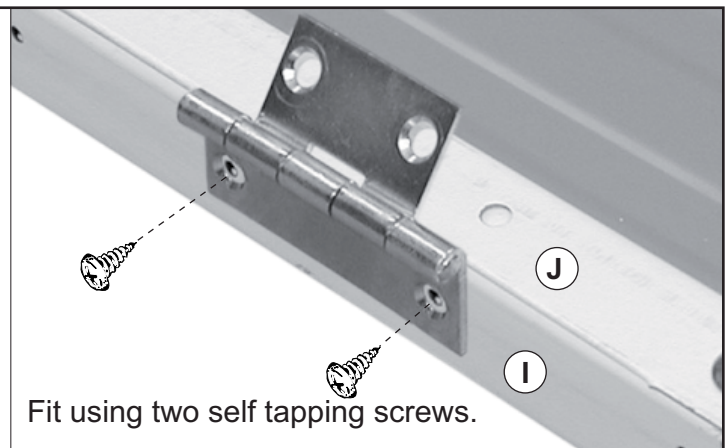


Fix the padbolt in the same manner

7

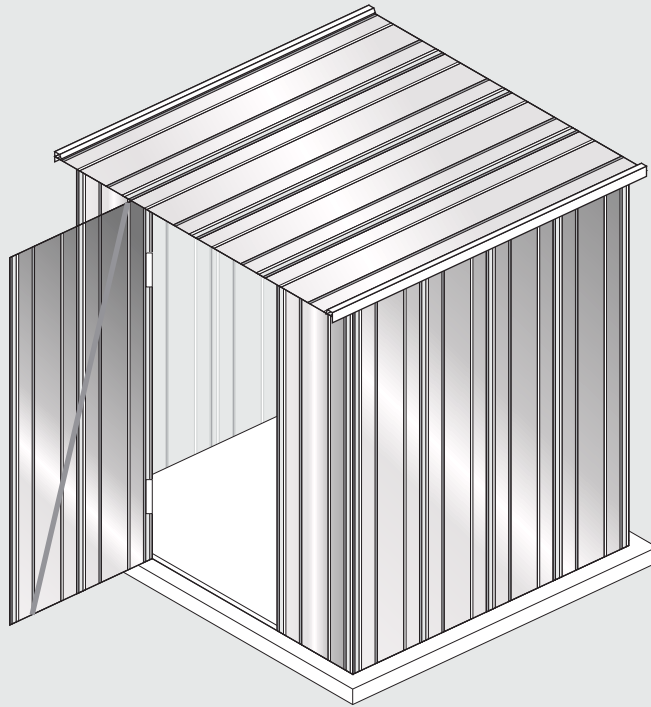


Hinges are fitted to the pre-punched holes on the door frames.



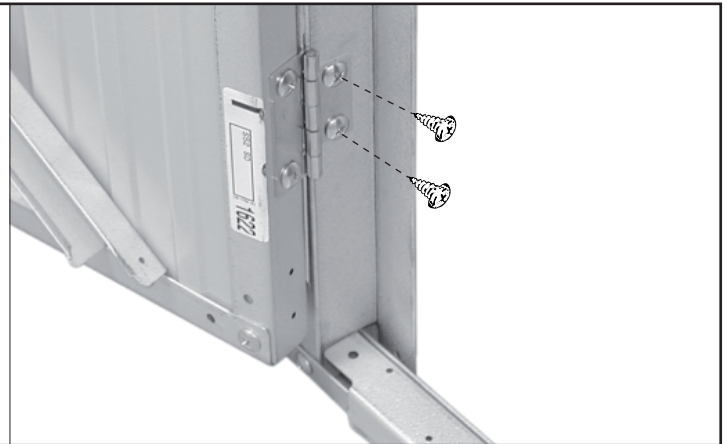
Fit using two self tapping screws.

# HANG DOOR



Fit the door to the left or right by fixing the hinges to the pre-drilled holes in the door jambs then fit the padbolt keeper.

1

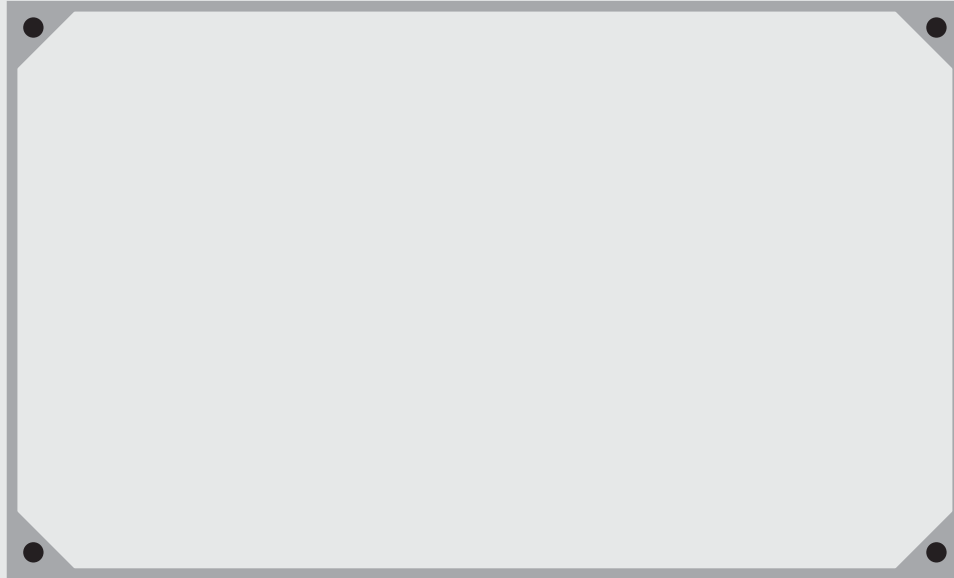


2



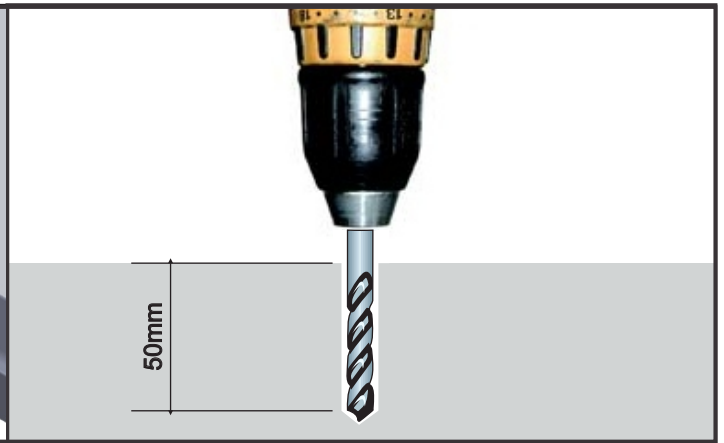
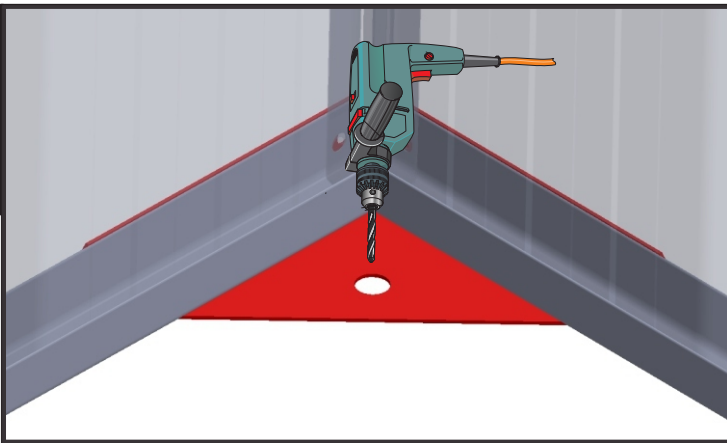
Drill pilot holes to accommodate the padbolt keeper and then fix with self tapping screws  
Make sure the screw fix through the front wall sheet

## BOLT DOWN

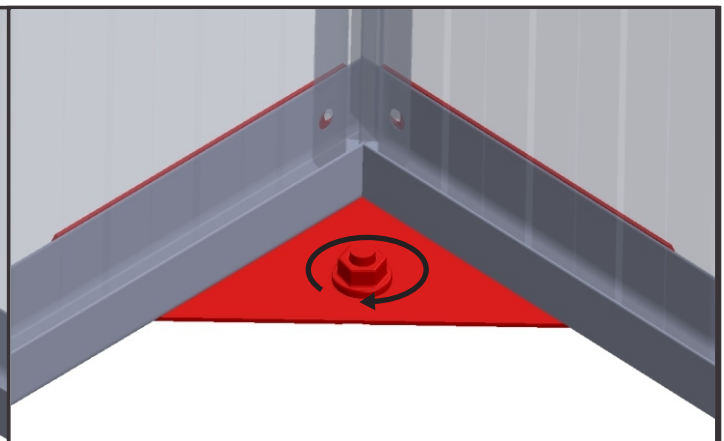
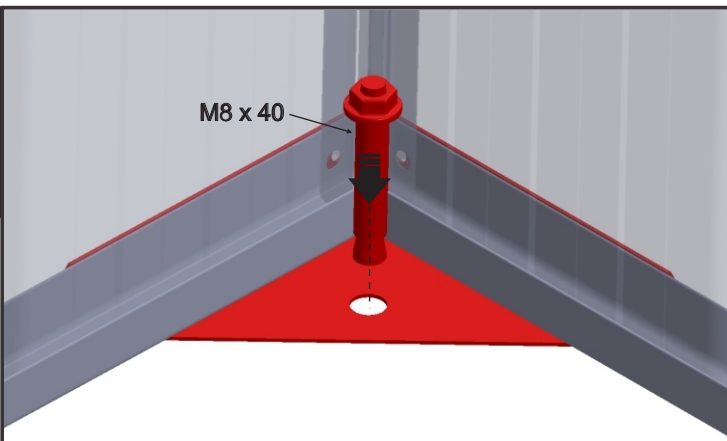


Bolt the shed down through the four corner brackets as shown. Ensure the shed is square.

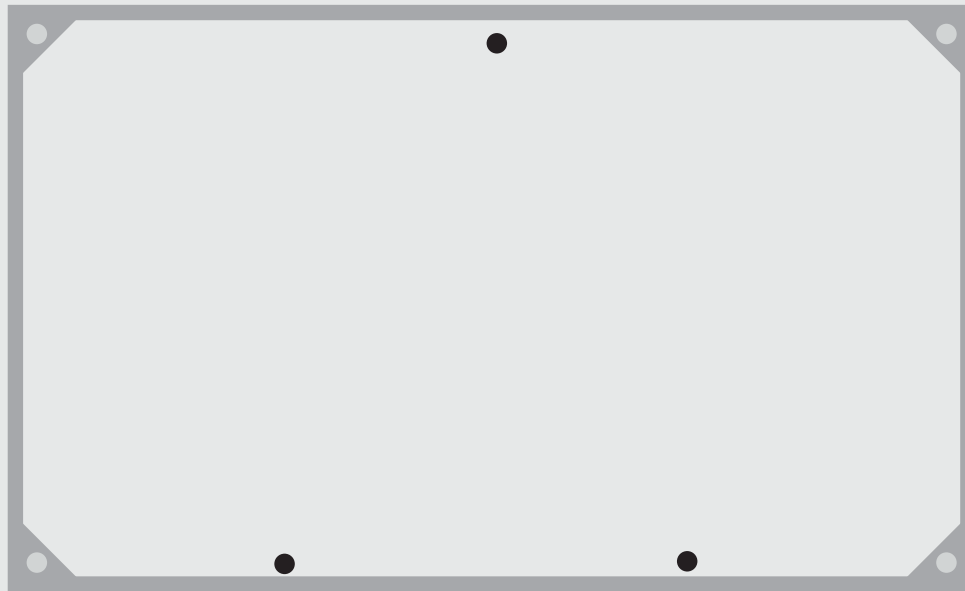
1



2



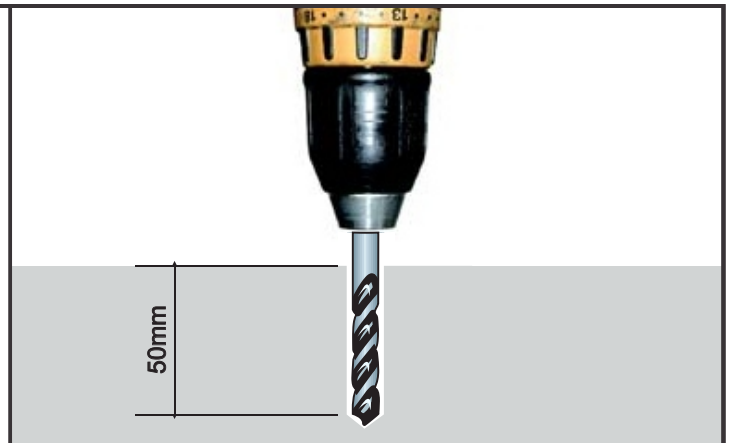
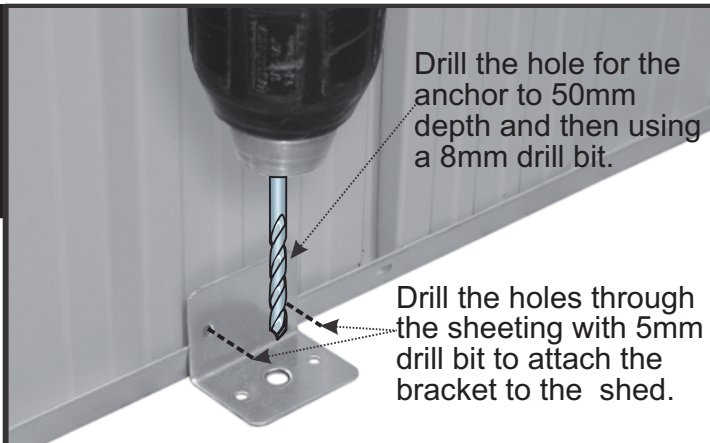
# BOLT DOWN



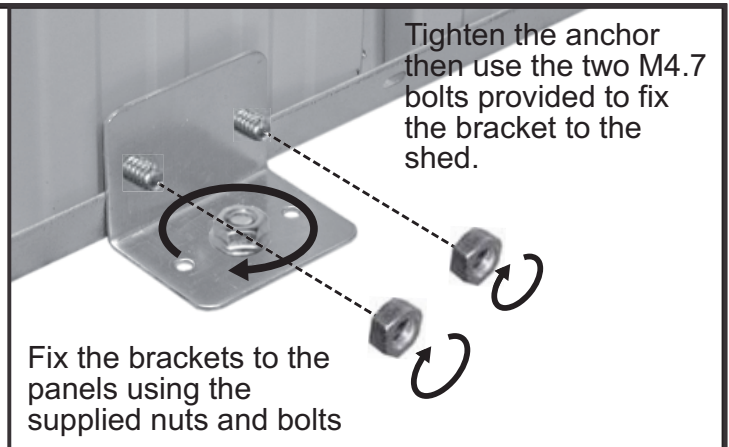
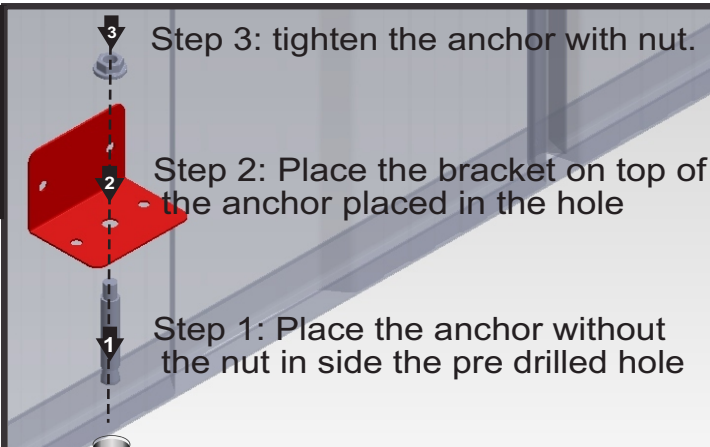
Front Panel.

Bolt the shed down through the angle brackets as shown.

1

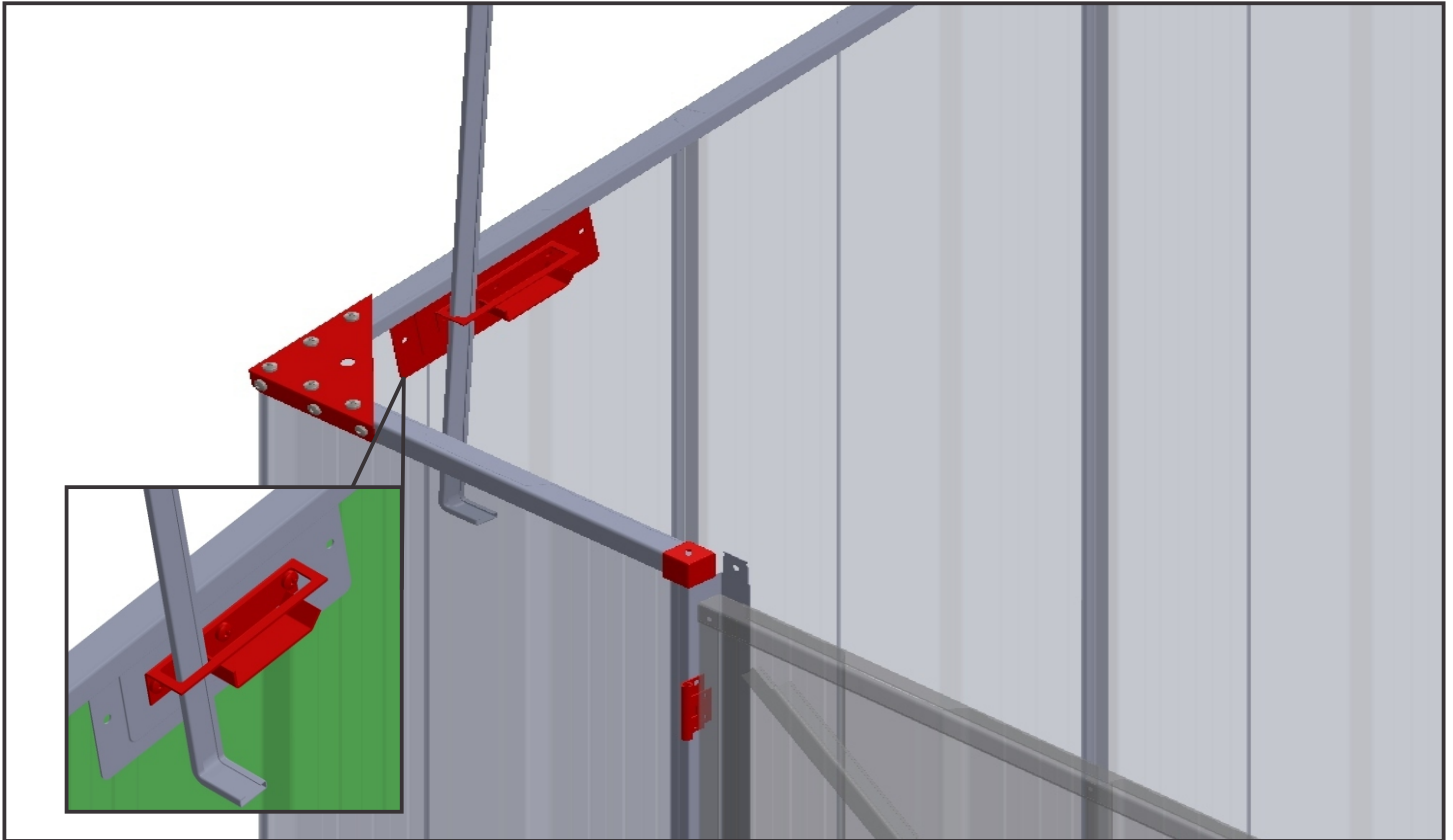


2

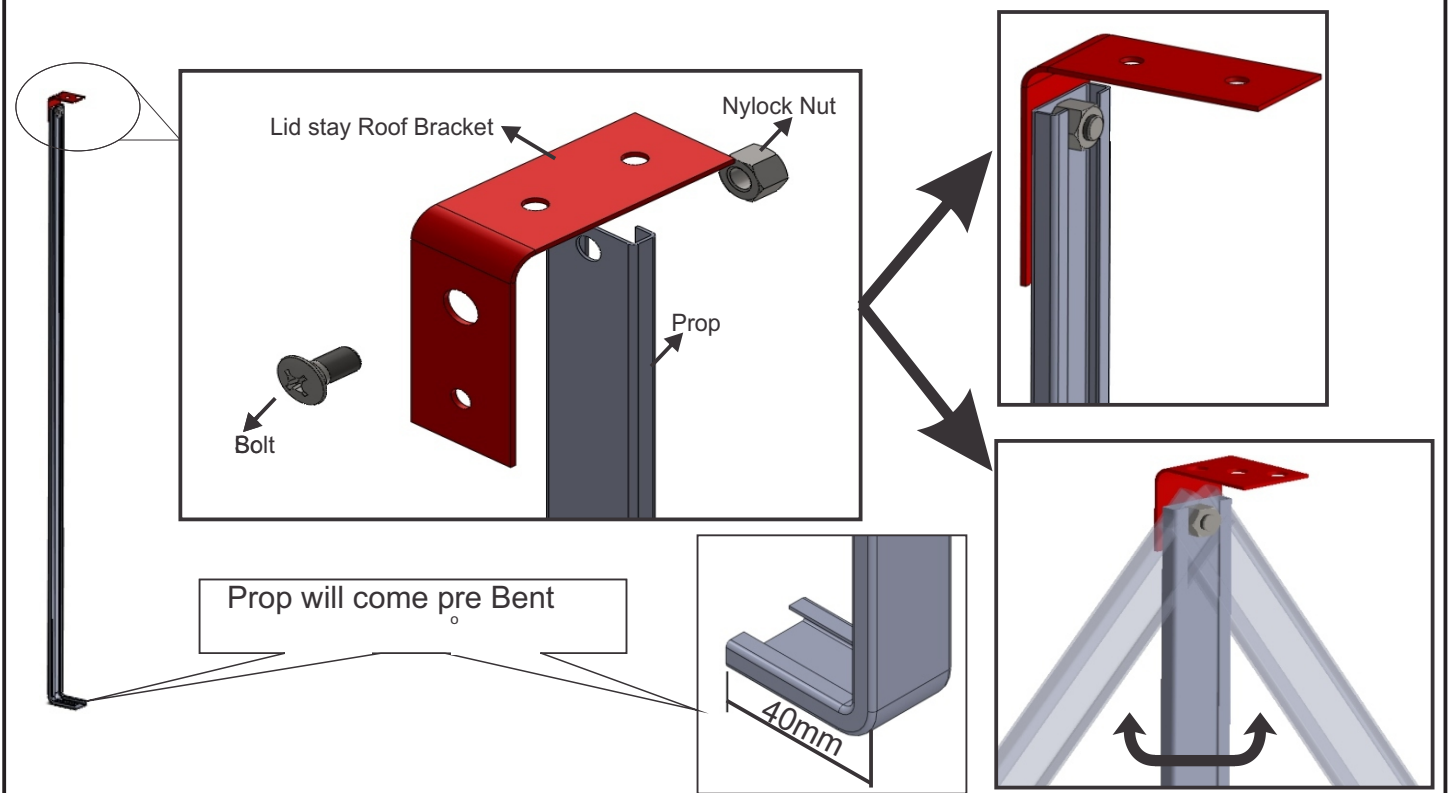


## Lid stay Assembly

Slide the Prop As shown through the bracket slot. keep the bend edge towards inside the shed.

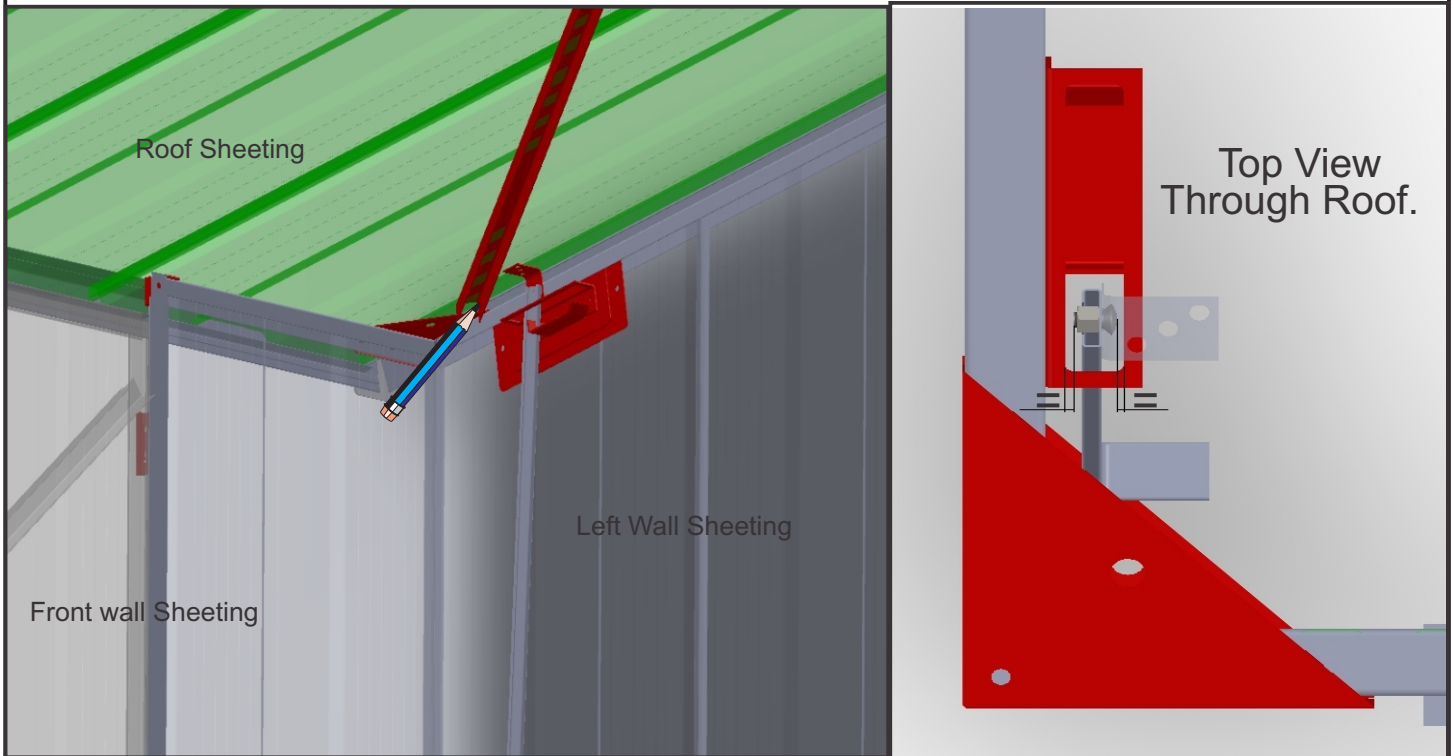


Joint the bracket and Prop as shown here using a nylock nut and screw. Make sure not to tight it fully so that the prop can move freely around the screw.



## Lid stay Assembly bracket fixing from inside the shed.

Now Stay inside the shed and close the Lid (Roof). position the Prop and bracket as shown, so that the bracket butts flat to the roof sheeting and the prop positioned in the middle of the bracket slot (marked with "="). Now mark the bracket hole position on the roof sheeting.

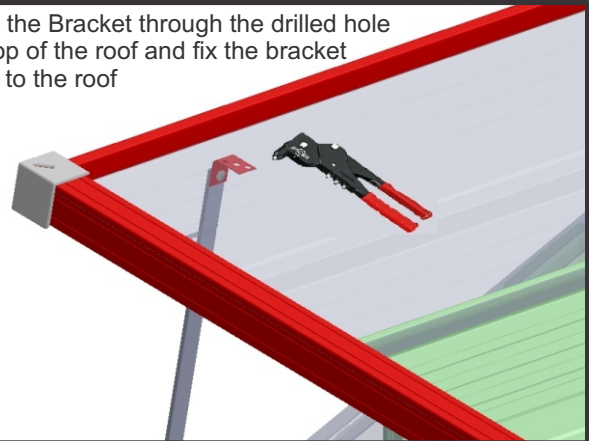


Now lift the roof and Pre drill the hole (4mm Drill) for rivet, through the previous marking.



(You can dismantle the bracket assembly so that it easy to rivet to the roof sheeting.)

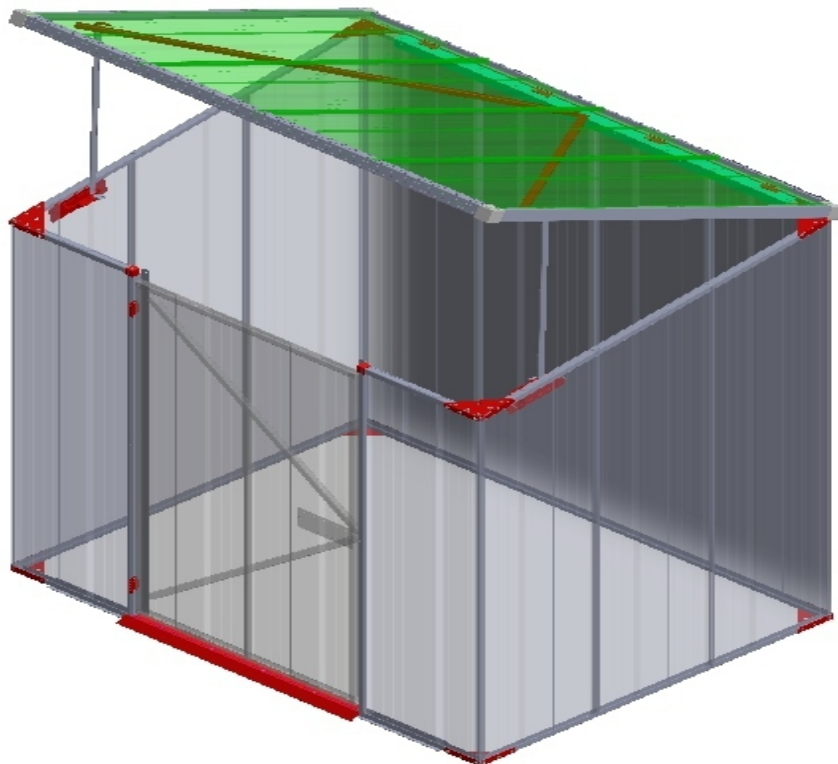
Now Rivet the Bracket through the drilled hole from the top of the roof and fix the bracket assembly to the roof



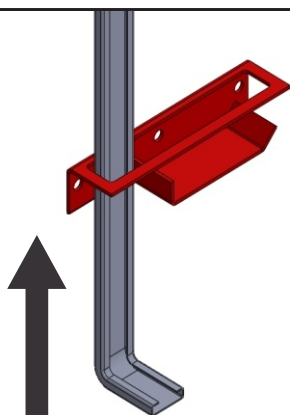
## Lid stay Assembly bracket fixing from inside the shed.

1

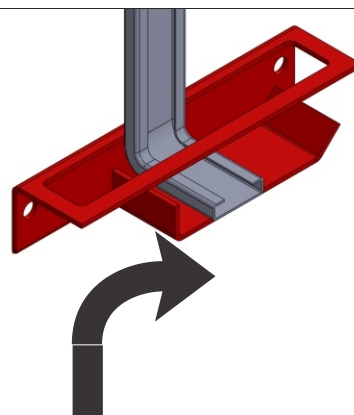
Repeat the same procedure to fix the other Lid stay assembly on the other side of the shed.



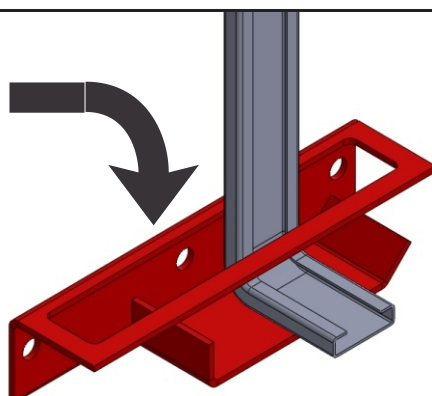
2



3



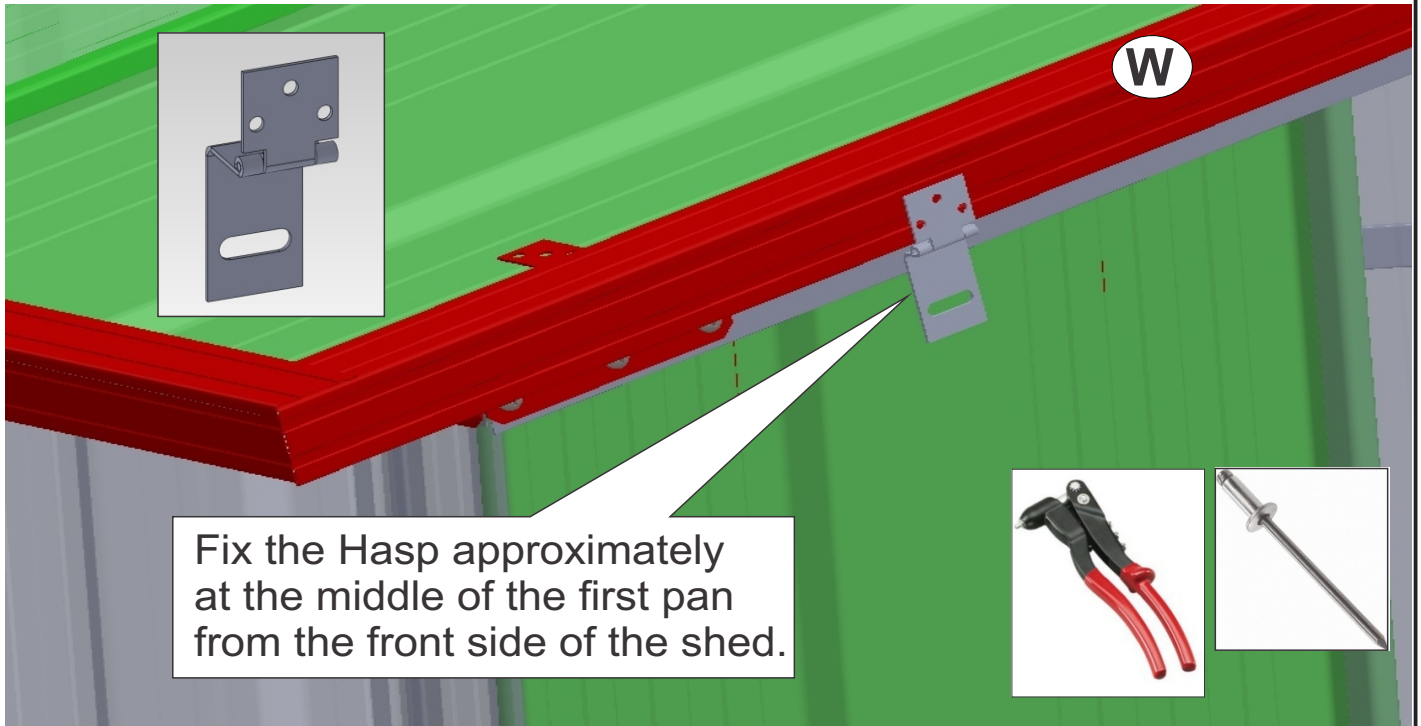
4



## Fixing Hasp and latch.

1

Now close the lid completely to mark and fix side Hasp and Staple. Pre Drill the angle trim "W" through the holes in the hasp. Fix it the hasp to trim with 3 rivets.



2

Position the Staple properly under the hasp on top of the pan on side wall. And mark the hole to pre drill and rivet it through 4 holes.





Simple, Strong,  
Quick & Easy

# 15 Years Warranty

## Thank you for purchasing FASTTRAK® system steel garden shed.

Your personal warranty is backed by the manufacturer of FASTTRAK system garden sheds, and our proven commitment to quality and customer service.

Our goods come with guarantees that cannot be excluded under Australian consumer law.

You are entitled to a replacement or refund of a major failure and compensation for any reasonably foreseeable loss or damage. You are also entitled to have the goods repaired or replaced if the goods fail to be of acceptable quality and the failure does not amount to a major failure. Cost of claiming the warranty will be by the claimant.

This warranty is in addition to other rights and remedies of the customer under law.

## Eligibility

- The 15 year warranty is eligible only to the original purchaser/owner of the shed as registered within 60 days from the date of purchase and is not transferable.
- The warranty is valid for Australia.
- The warranty is subject to location and local environmental conditions outlined in the warranty exclusions below.

## What is covered under the warranty?

FASTTRAK® steel garden shed 15 year warranty is limited to the following specific cover.

1. Zinc and/or galvanised panel materials will not rust
2. Coloured panel materials will not rust, flake, peel or blister.

Please note the 15 year warranty does not apply to any accessory items such as fasteners, Hasp, Pad bolts, also including flooring kits, shelving, hook sets, tool racks etc.

## Warranty Qualifications & Limitations

The FASTTRAK® 15 year warranty is subject to the following qualifications and limitations

1. Warranty does not apply to surface deterioration of the panels caused specifically by
  - a. "Swarf"(tiny particles of steel debris left from cutting, grinding or drilling operations) that have not been dutifully removed during the assembly construction process.
  - b. As a result of contact with damp soil, chemicals, fertilisers, or other corrosive substances
2. Warranty does not cover damage caused by storms, wind, rain, hail, snow or any other adverse environmental event or "act of god"
3. Warranty only applies if the shed is used solely for domestic purposes and installation is in accordance and compliance with the FASTTRAK® instruction manual and manufacturer recommendations.
4. Warranty does not apply if the shed is installed / located in
  - a. Ocean/surf locations (typically defined as within 1km from coastal or tidal locations),
  - b. Severe industrial locations
  - c. Unusually corrosive environments (e.g. Geothermal / Sulphuric conditions)
5. Warranty does not cover any damage as a result of
  - a. Any impact
  - b. Due to poor foundations
  - c. Modifications
  - d. Build-up of debris on or in roof or walls
  - e. Poor assembly and/or construction
6. The warranty will be void if the shed has been relocated from its original location / address
7. The warranty is limited to the replacement and delivery of panels and specifically excludes any labour, installation or removal/disposal costs.
8. Warranty applies to the exclusions of all other representations, guarantees or warranties, either expressed or implied unless otherwise required by applicable legislation.
9. Your warranty registration certificate and supporting documentation must be completed and lodged within 60 days of the date of purchase.

## Warranty Claims

All warranty claims should be made in writing sent directly to:

### Australia

FASTTRAK  
PO Box 1581,  
Browns Plains, Queensland, 4118

## Claims must include:

- a) Original proof of purchase documentation
- b) Relevant contact information
- c) Product model
- d) Photographic evidence
- e) Description of the damage



**Simple, Strong,  
Quick & Easy.**

## Warranty Registration Certificate

### Owners Details

Owners Name:

Street Address:

City:

Postcode:

Email:

### Building Details

Product Model Number:

Colour:

Place of Purchase:

Purchase Date:

Please attach here a photocopy of proof of purchase

Retain the original for your records

You must submit your warranty registration certificate within 60 days of the purchase date of your FASTTRAK® garden shed.

Post your certificate and supporting documentation to:

### Australia

FASTTRAK

PO Box 1581, Browns Plains

Queensland, 4118

**NOTE:**

**FASTTRAK**

**Simple, Strong,  
Quick & Easy.**

